

**INDIVIDUAL SEWAGE TREATMENT SYSTEM INSPECTION FORM
AITKIN COUNTY, MINNESOTA**

Township _____ Date of Inspection _____ Permit Number _____

Owner _____ Parcel Number _____

Project Address _____ Installer _____

City _____ Zip Code _____

New Repair

DIST. or DROP BOX & TYPE _____

SETBACKS:

Buildings to tank(s) _____

Buildings to drainfield _____

Well(s) 50' or 100' _____

Lake/Creek/Wetland _____

TRENCHES, BEDS, OR GRAVELLESS LEACHFIELD:

Trench depth _____

Trench length _____

Trench bottom width _____

Trench spacing _____

Drainfield rock below pipe _____

Size of gravelless pipe _____

Depth of backfill _____

Absorption area: square feet _____

lineal feet _____

SEPTIC TANKS: New _____ Existing _____

Number of tanks installed _____

Liquid capacity and type _____

Type of baffle _____

Inspection pipes _____

Manholes size _____

Manhole to grade Yes _____ No _____

MOUNDS:

Percent slope _____

Upslope dike width _____

Downslope dike width _____

Sideslope dike width _____

Drainfield rock below pipe _____

Depth of sand below rock _____

Perforation size & spacing _____

Pipe size & spacing _____

Dimensions of rock bed _____

Dimensions of sand base _____

Final cover _____

PUMPS: New _____ Existing _____

Tank capacity and type _____

Pump manufacturer & model # _____

Horsepower & GPM _____

Feet of head _____

Gallons per cycle _____

Size of discharge line _____

Type & location of alarm _____

Water meter _____

DRAWING OF SYSTEM: (include soils)

Inspector's Comments: _____

Inspector's Signature _____ Installer's Signature _____

AITKIN COUNTY
CERTIFICATE OF INSTALLATION/~~NOTICE OF NONCOMPLIANCE~~

This certificate of installation/~~notice of noncompliance~~ has been issued this _____ day of _____, 20____ to certify compliance/~~noncompliance~~ with Aitkin County's Subsurface Sewage Treatment System Ordinance.

The premises covered by this certificate are legally described as: _____

Section _____ Township _____ Range _____ Lake _____
PERMIT NO. _____ Owner Name _____
Address _____
Installer Name _____
Type of System Inspected _____
Parcel Number _____

The certificate of installation/~~notice of noncompliance~~ was based on No ___ of the following:

- 1) Inspection of the installation or construction as in accordance with the above referenced permit and application design.

- 2) Review of as-built plans submitted in accordance with Subdivision 9.2 D of Aitkin County's Subsurface Sewage Treatment System Ordinance.

If the above permitted subsurface sewage treatment system is in noncompliance with Aitkin County's Subsurface Sewage Treatment System Ordinance, then the following shall serve as a Notice of Violation:

- 1) Statement of the findings of fact through inspections or investigations:

- 2) List of specific violations of Ordinance: _____

- 3) Requirements for correction or removal of violations: _____

- 4) Time schedule for compliance: _____

Failure to correct or remove the above violation(s) will result in this matter being turned over to the Aitkin County Attorney's Office for further legal action, which may result in revocation of licenses or registrations, fines and/or imprisonment.

INSPECTOR SIGNATURE _____

AS-BUILT

LOCATION: 37736 HWY 65 McGREGOR MN.
PID# 30.0.027400 & 30.0.027500

OWNER: MILLE LACS BAND OF OJIBWE
SYSTEM TYPE: TYPE III MOUND

DESIGN FLOW:2450 GPD

TREATMENT AREA: 10'X204' 2040 SQ.FT.
FINISHED MOUND SIZE: 48' X 248'

SEPTIC TANKS: 3- 2500 gal. COMBO/SPLIT
CEMSTONE # 9552501

FILTER: YES 3- POLYLOC PL-120

PUMP TANK: 5000 gal. WIESER # W5000

PUMP: GOULDS WE2012H

MAX 130GPM @ 30 TOTAL FT. HEAD

SYSTEM REQUIRES 120GPM @ 120FT HEAD

FLOW METER/ TIMER/ ALARM: SJE-RHOMBUS
TD1W114H8AC10EK21E

TIMER SET 5.7 MIN. ON 354.3 MIN. OFF

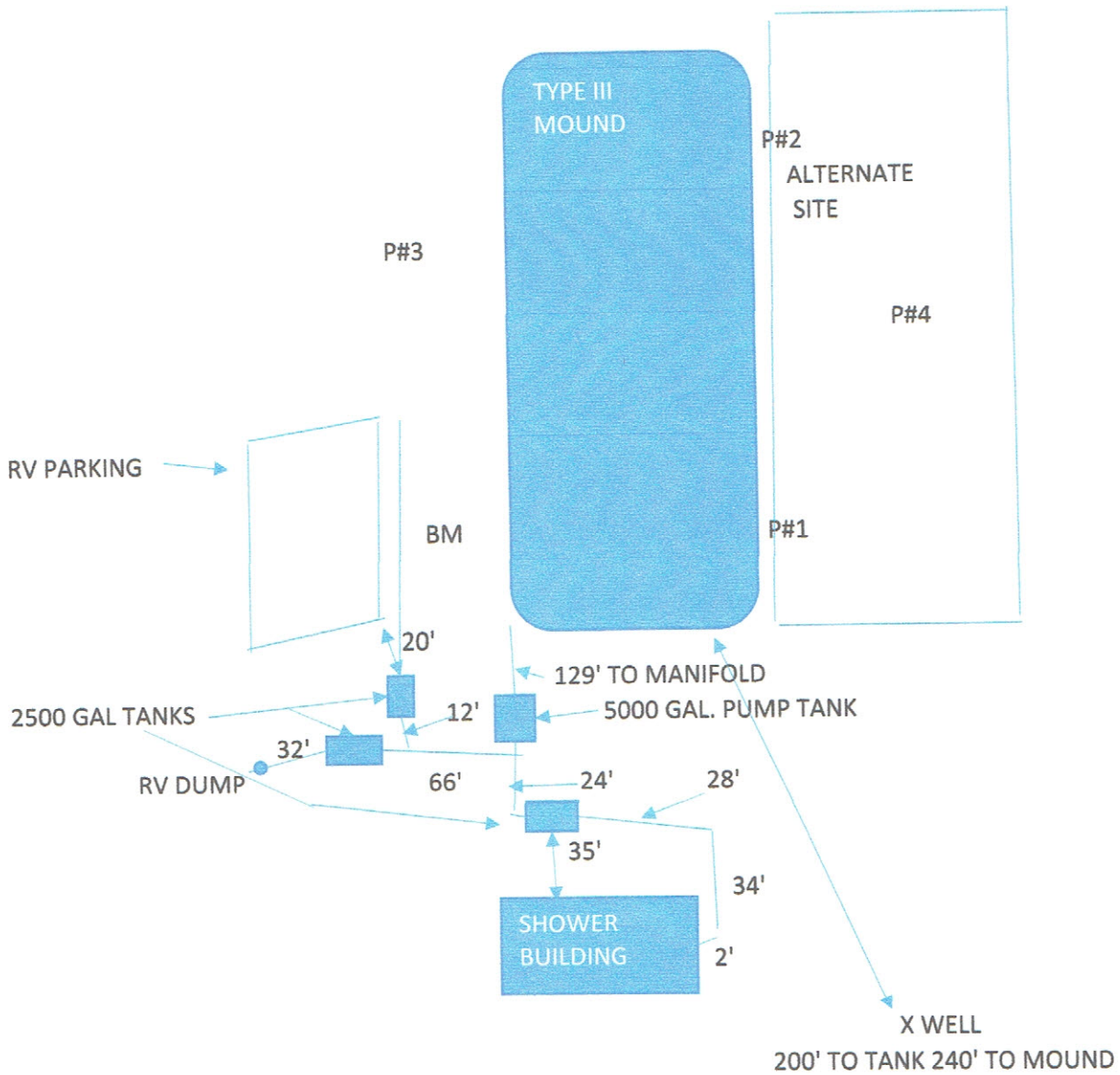
4 DOSES PER DAY 612.5 GAL. PER DOSE

WASHED SAND DEPTH 3'+ CEMSTONE PRODUCT
WASHED ROCK CEMSTONE PRODUCT



NOT TO SCALE

AS BUILT



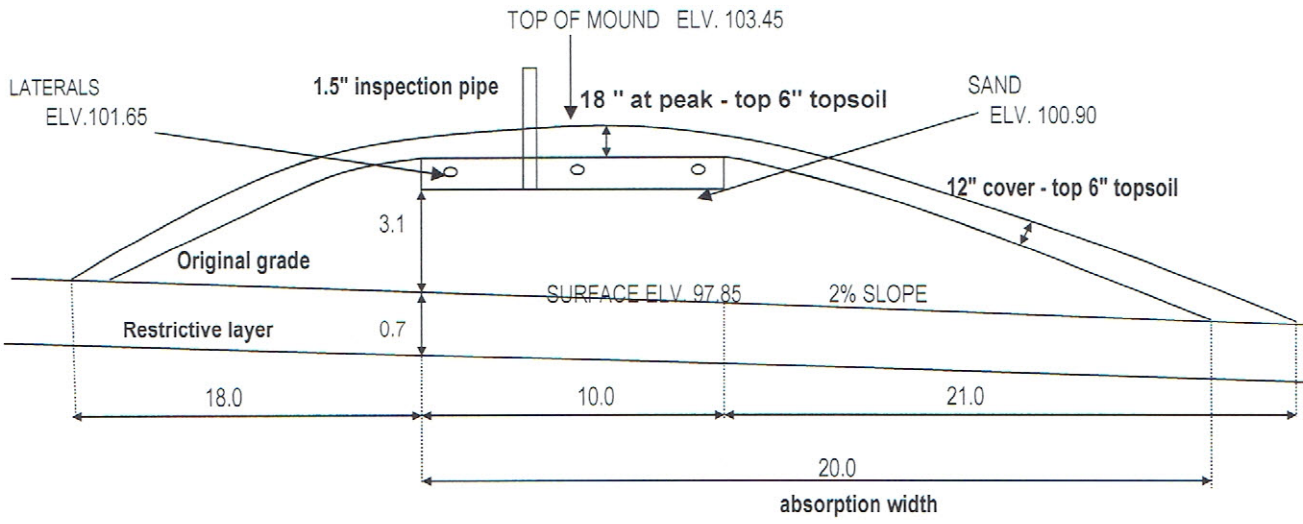
AS-BUILT Elevation Sheet

LOCATION

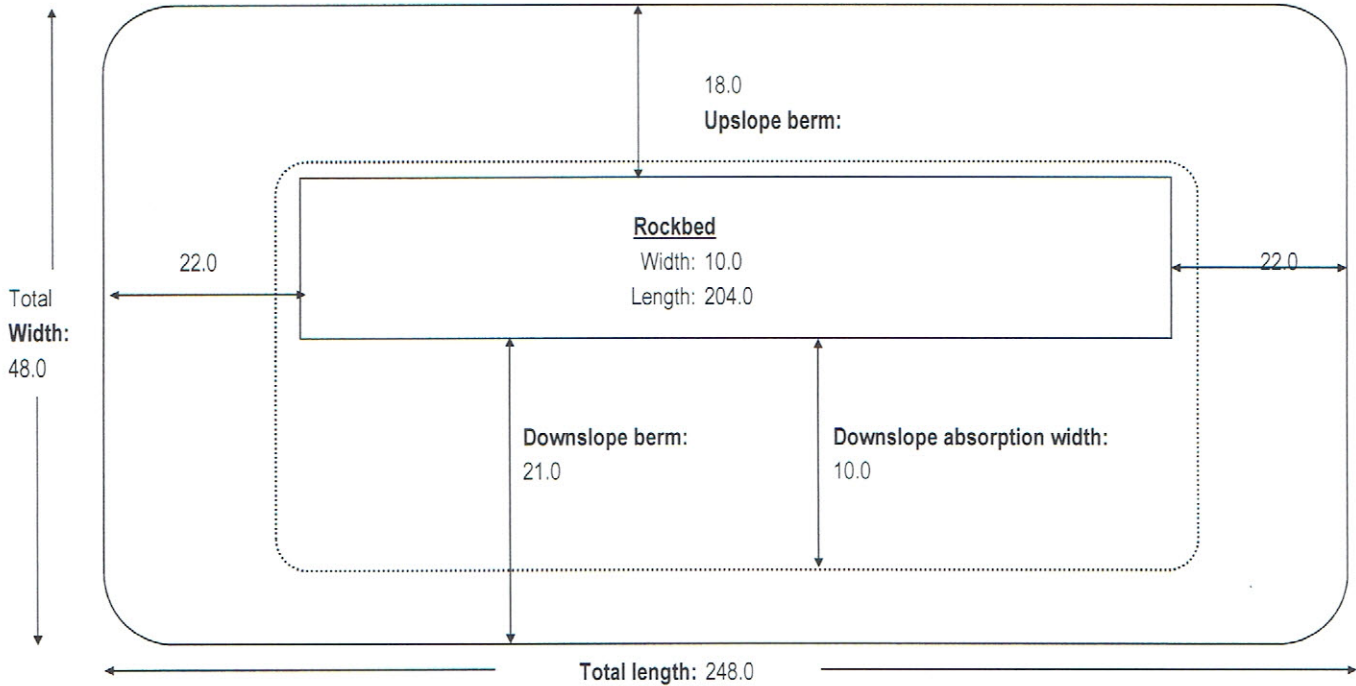
BENCHMARK	ELEVATION	100.00	
TANK #1 DUMP STATION	surface	96.00	inlet 94.25 (2500 GAL. SPLIT TANK)
TANK #2 RV HOOKUPS	surface	95.80	inlet 94.00 (2500 GAL. SPLIT TANK)
TANK #3 SHOWER HOUSE	surface	97.10	inlet 94.25 (2500 GAL. SPLIT TANK)
PUMP TANK	surface	98.20	inlet 92.66 (5000 GAL. PUMP TANK)

MOUND ELEVATIONS

TOP OF SAND	100.90
TOP OF ROCK	101.90
TOP OF MOUND	103.45



AS-BUILT E-Z EXCAVATING LLC. LIC# 1472



Notes:

Divert surface water away from mound.