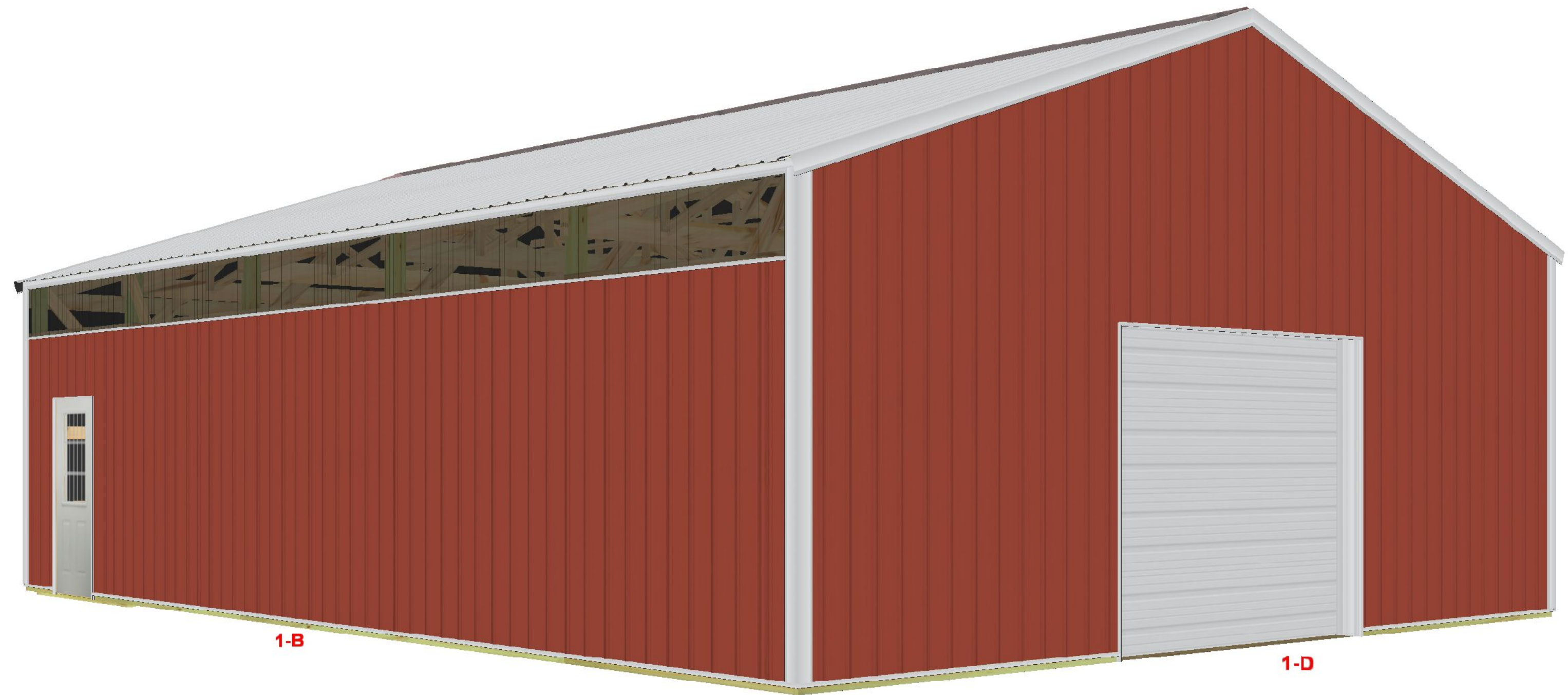
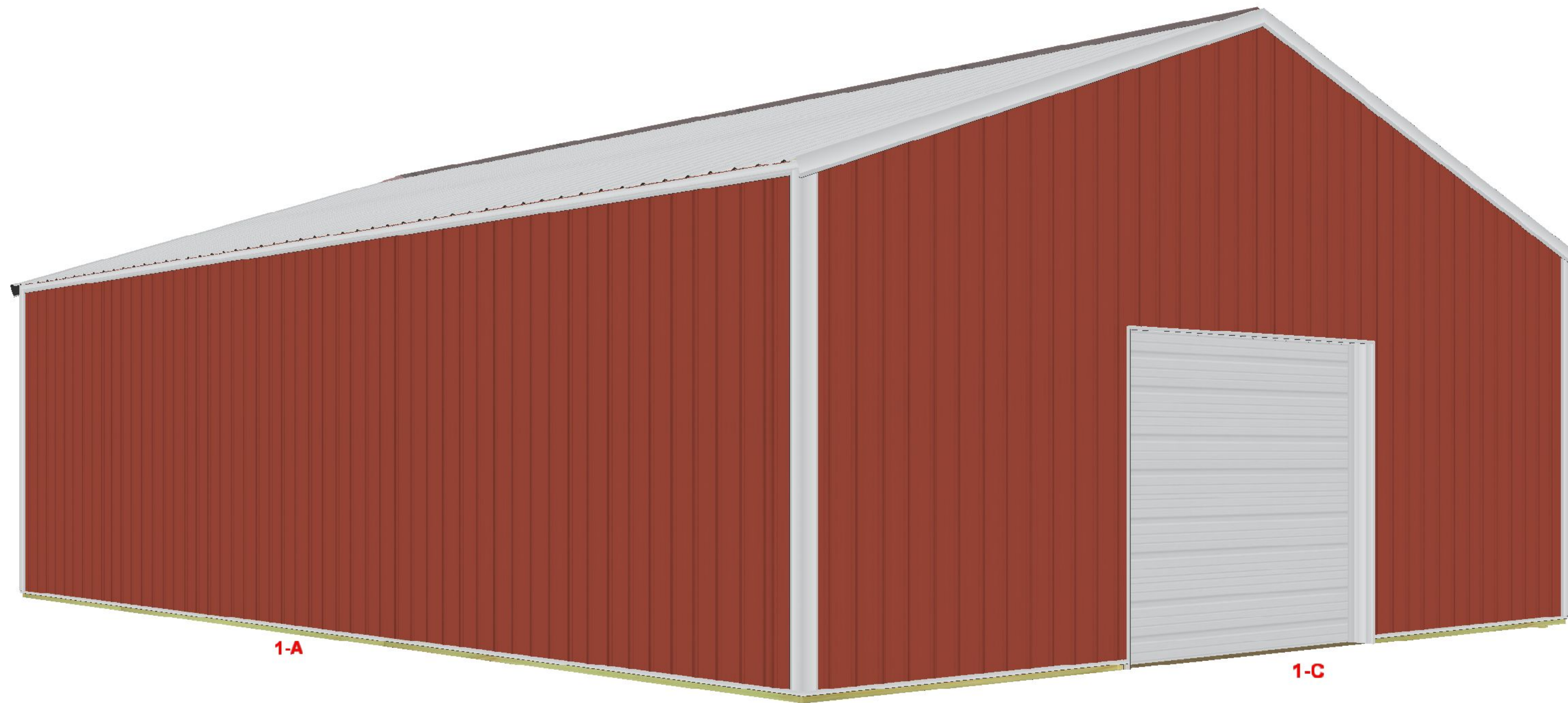


JOSH JIRASEK MCGREGOR, MN



Service doors and windows shown for representation only. Please confirm exact locations at time of construction.

Service doors and windows shown for representation only. Please confirm exact locations at time of construction.

MIDWEST

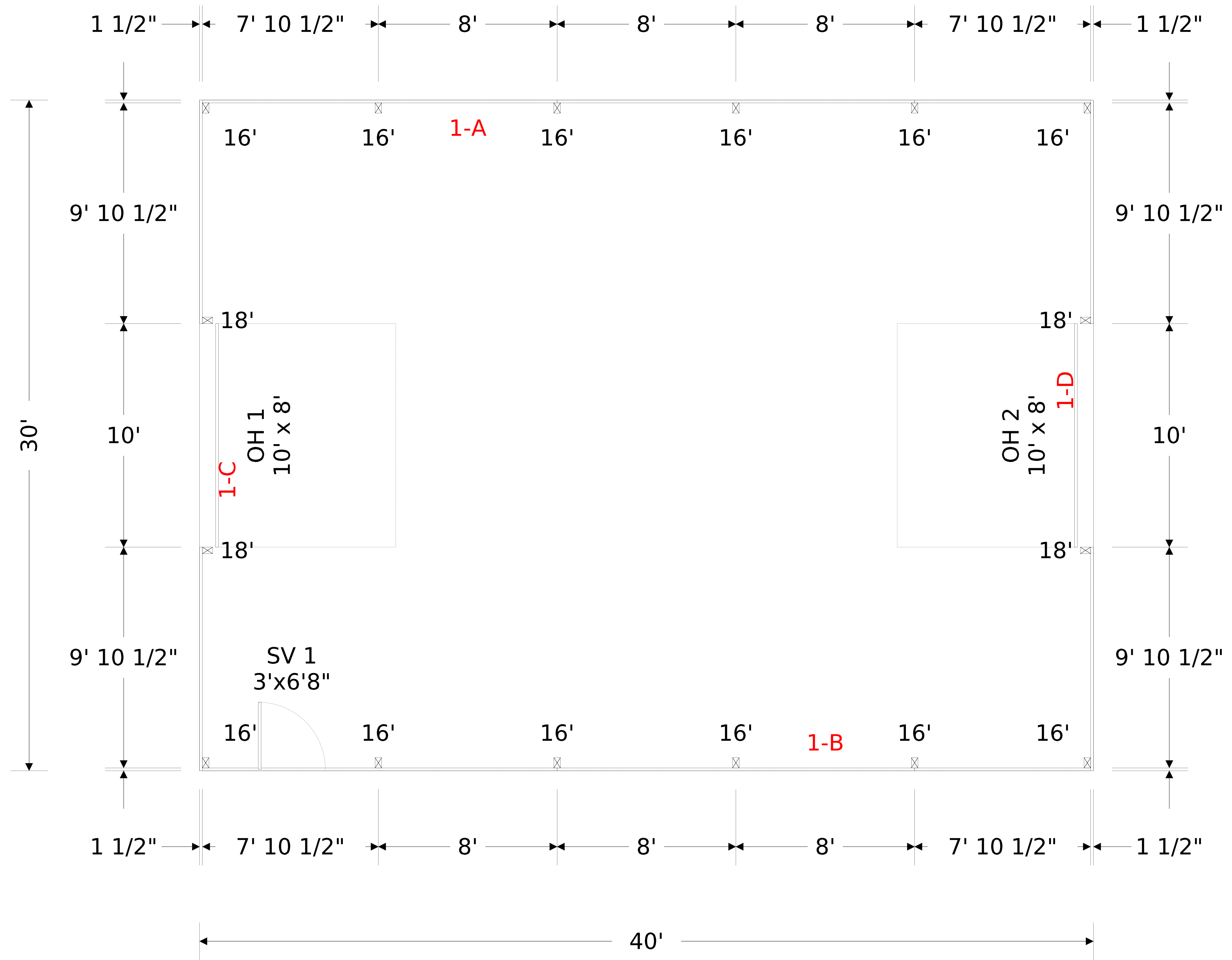
MINI PRINT

FILE NUMBER: EM623959

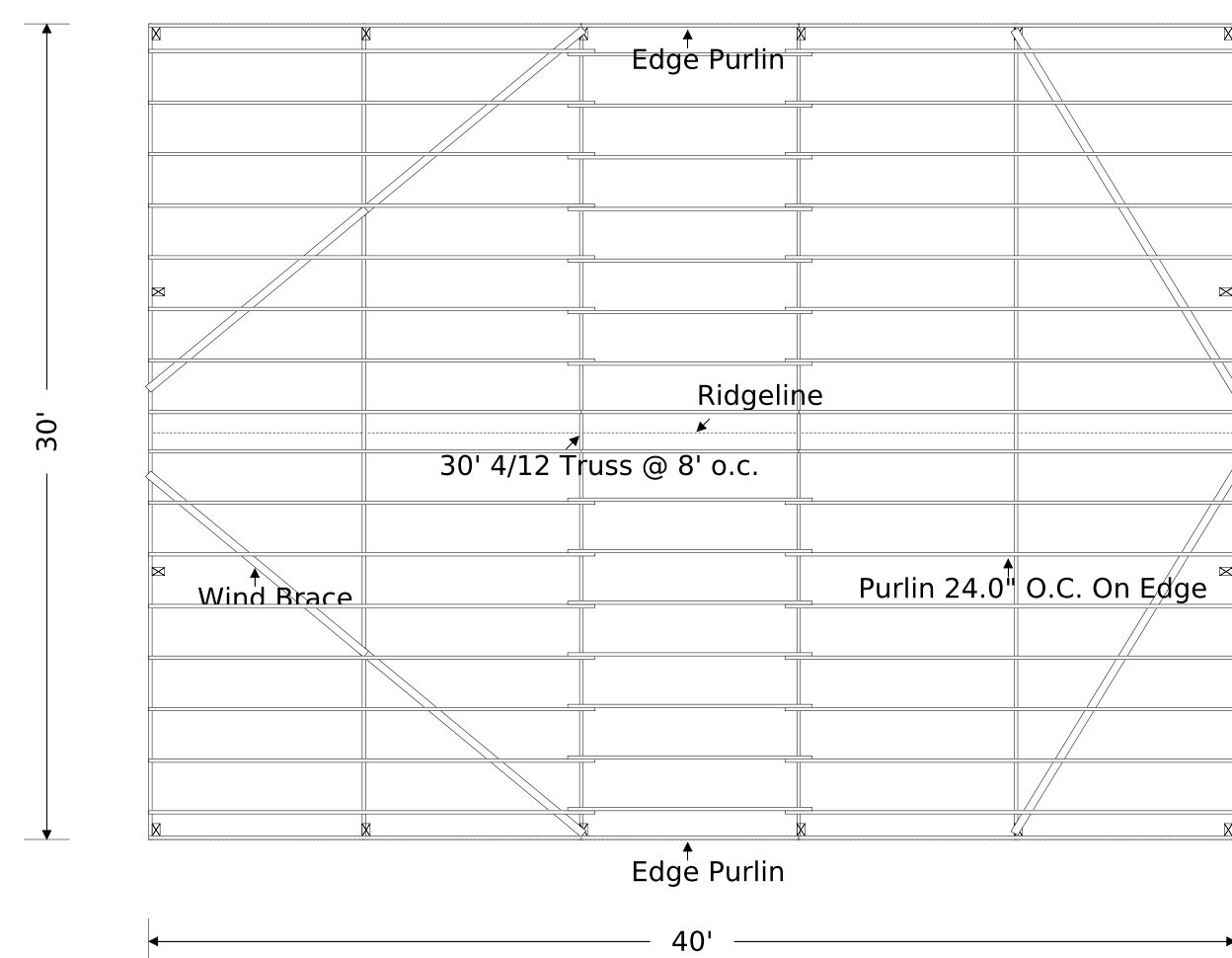
DIMENSIONS
Material views, steel views, and floor plan are not to scale.

ERRORS AND OMISSIONS
MENARD INC. is unable to accept liability for any errors or omissions in excess of the original purchase price for these plans. Consequently, builders must carefully check all details and information in these drawings including dimensioning, material quantities and availability of the products specified. Any errors or omissions found should be reported immediately to Midwest Manufacturing, 5311 Kane Road, Eau Claire, WI 54703

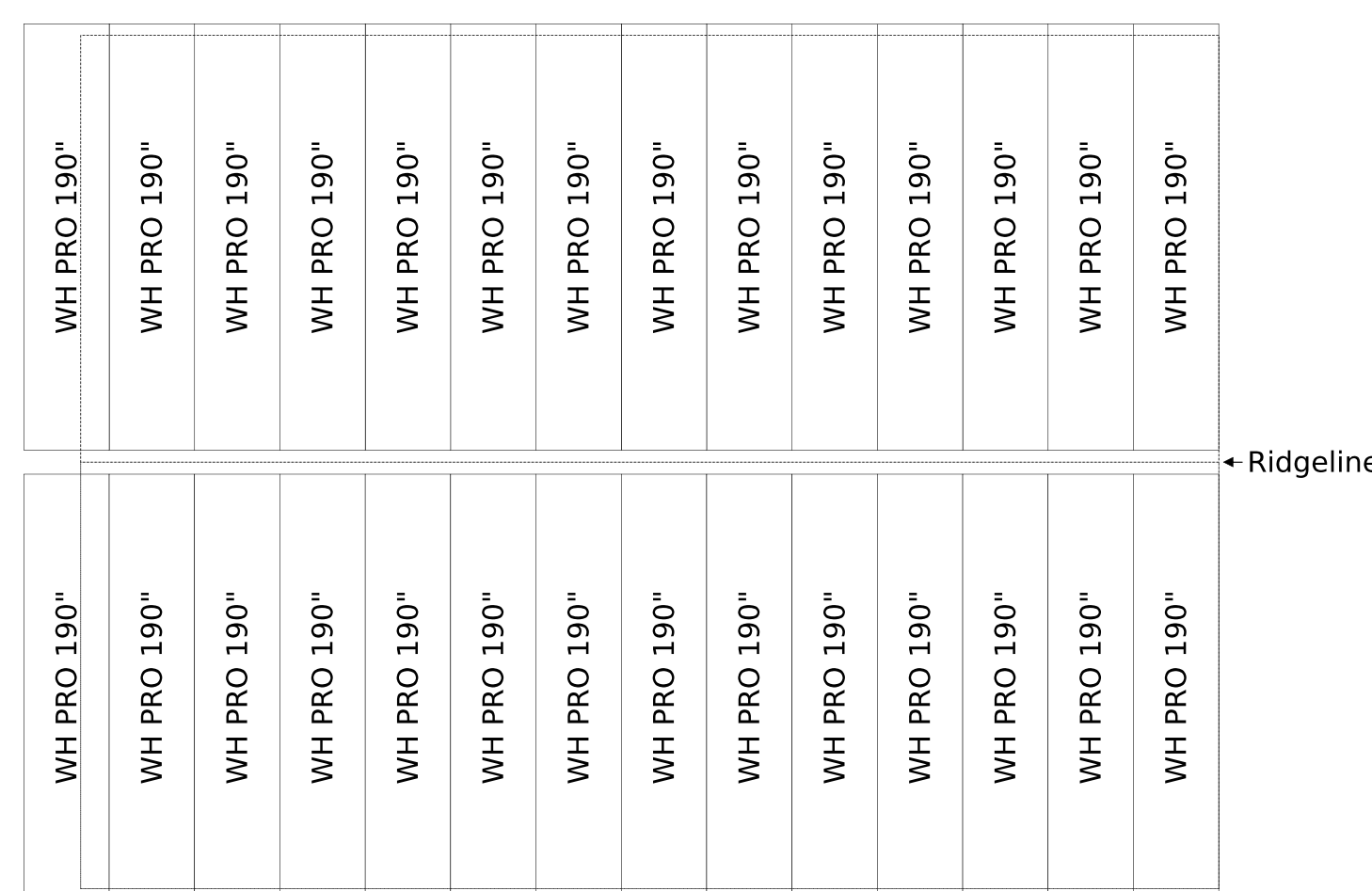
ADAPTATION AND UTILIZATION OF THIS PLAN
These plans have been professionally prepared to conform to most generally accepted construction requirements throughout North America, however due to local codes, regulations, and building practices and or because of specific site conditions, these drawings may not be suitable or legal for use in the construction of this building in all localities. Consequently, these drawings are not to be used as a guide for construction unless the builder has confirmed their suitability or until the drawings have been brought into conformity with all local requirements.



ROOF FRAMING

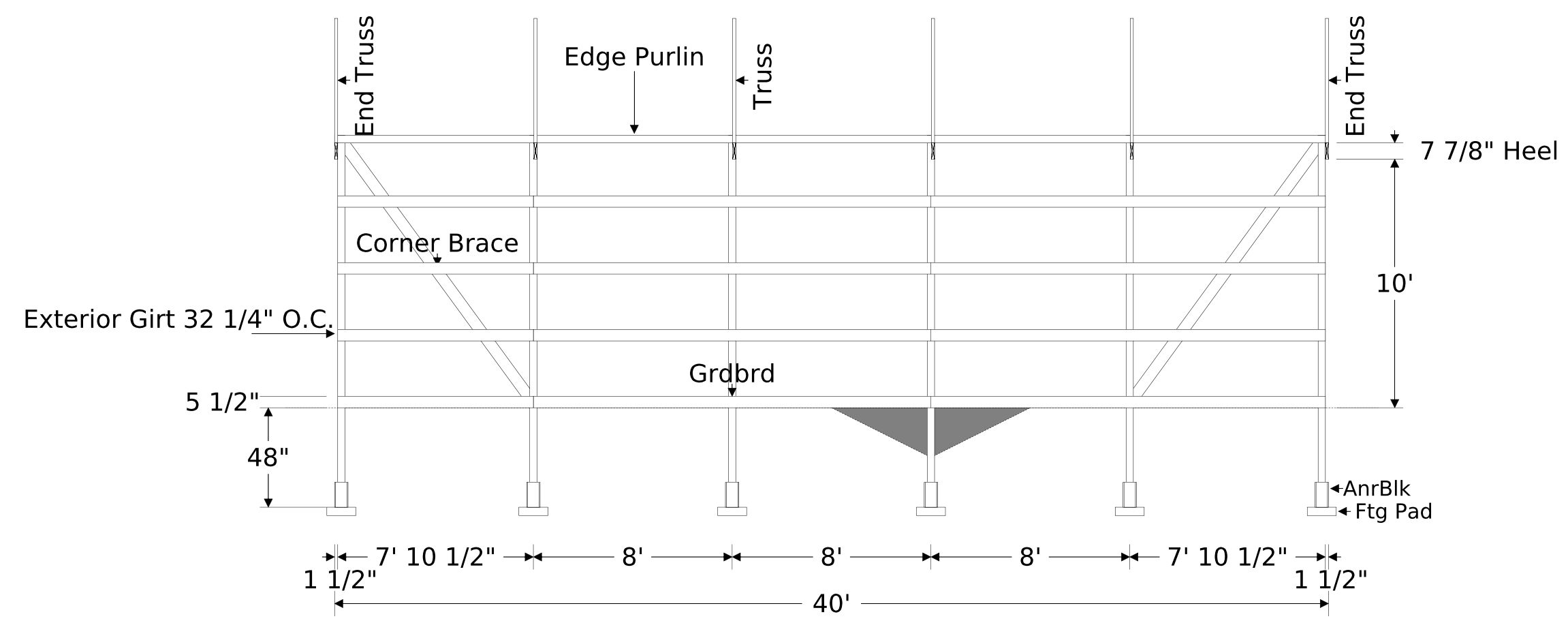


ROOF COVERING

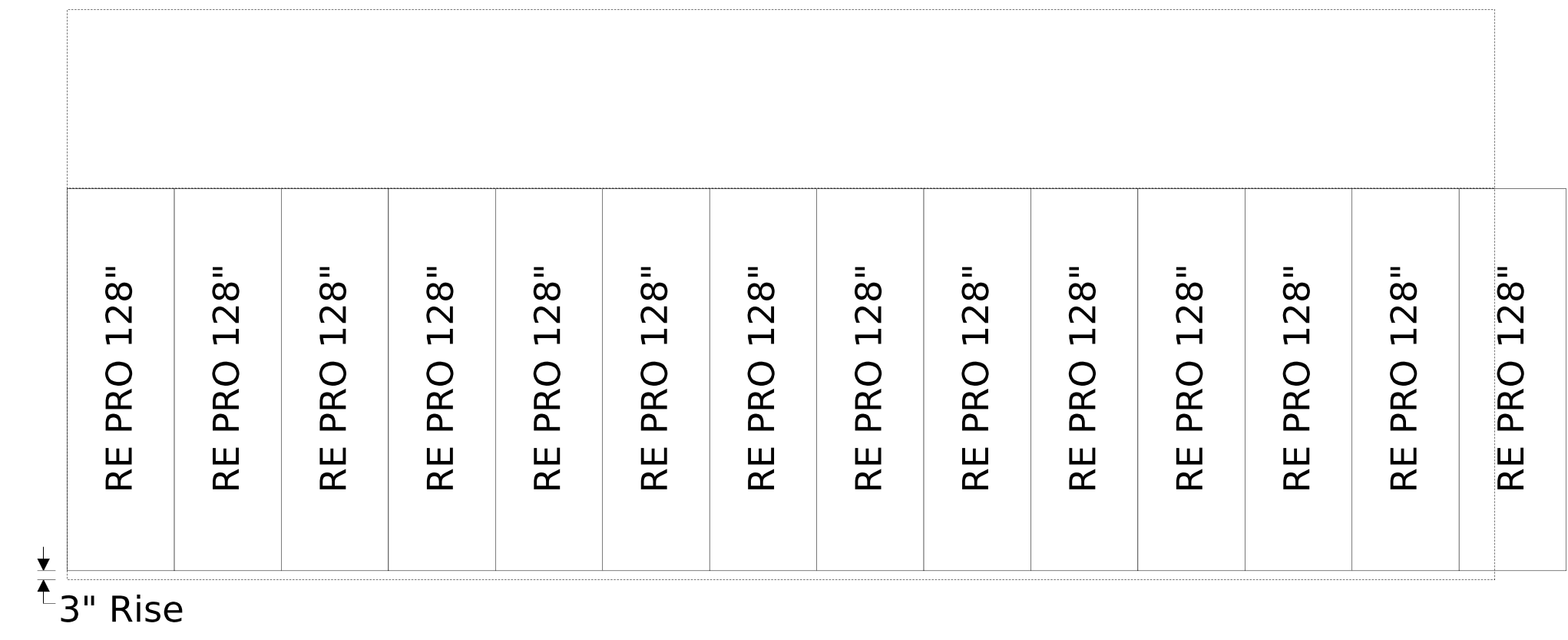


MIDWEST
MINI PRINT
 FILE NUMBER:
EM623959

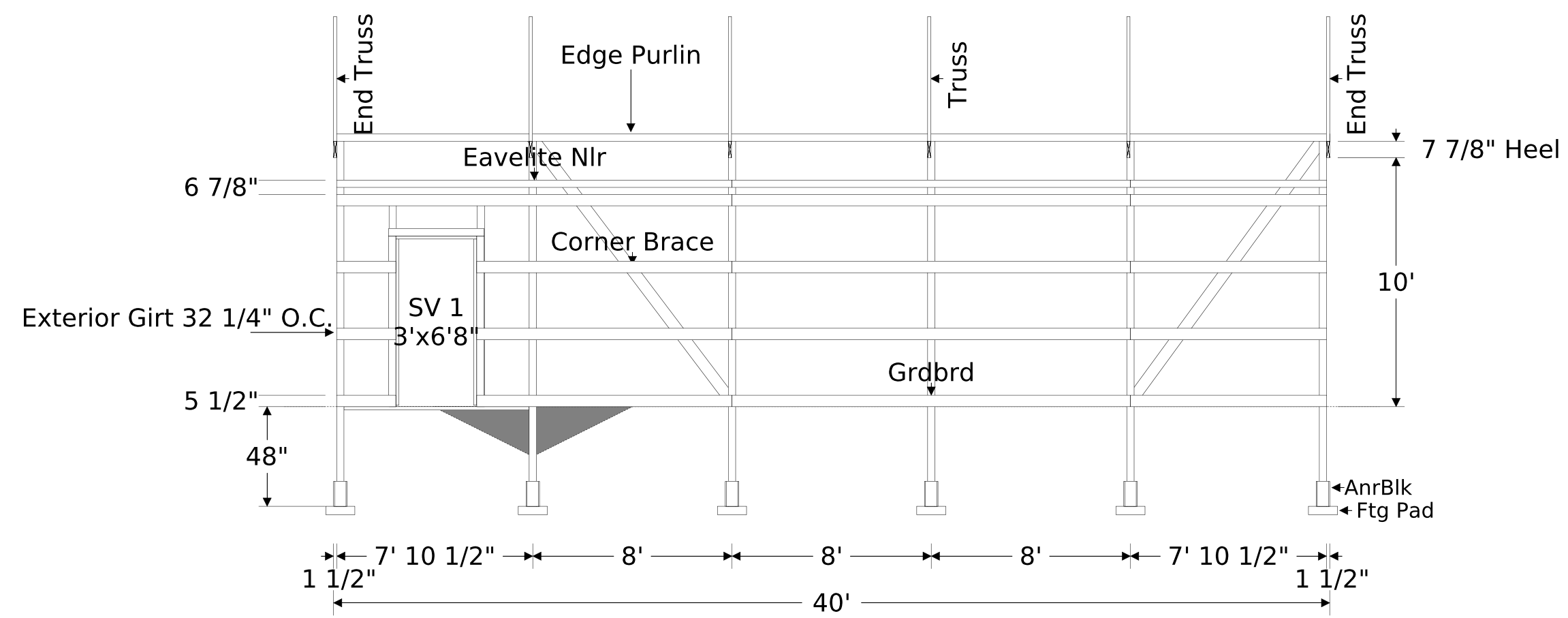
WALL 1-A FRAMING



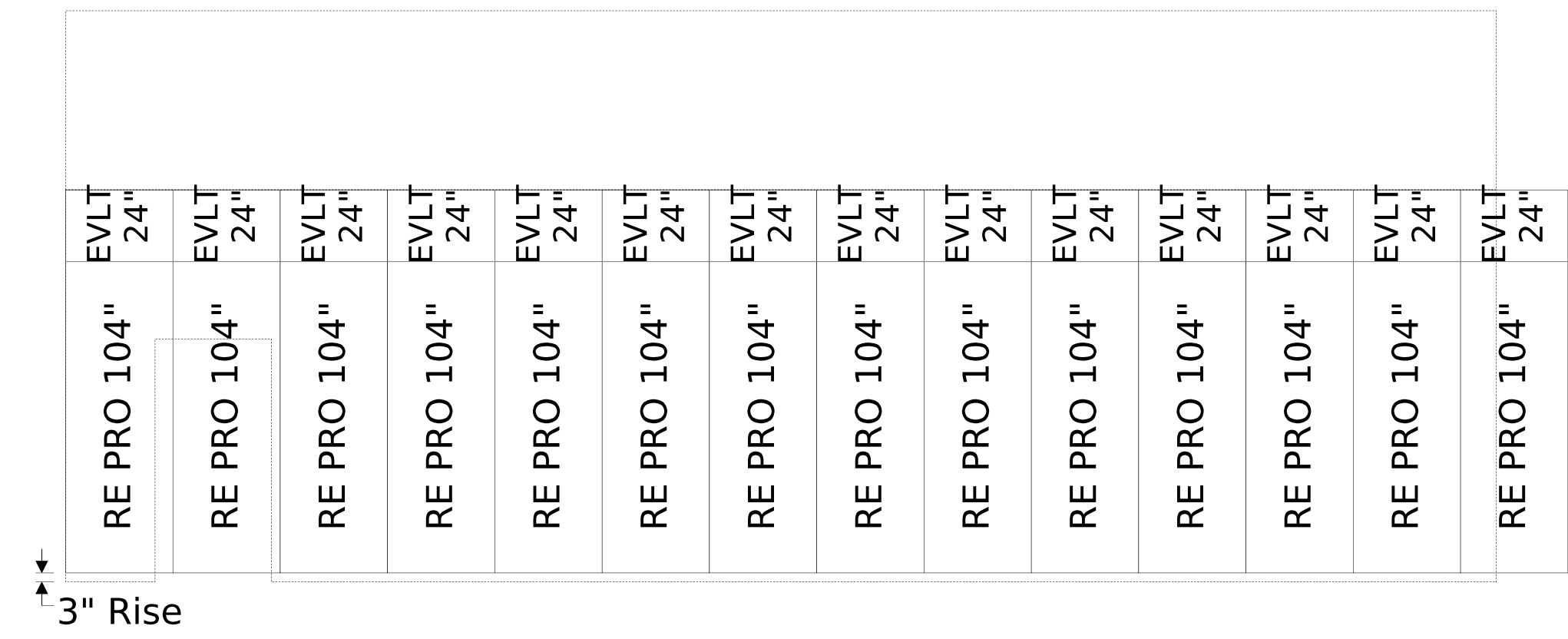
WALL 1-A STEEL



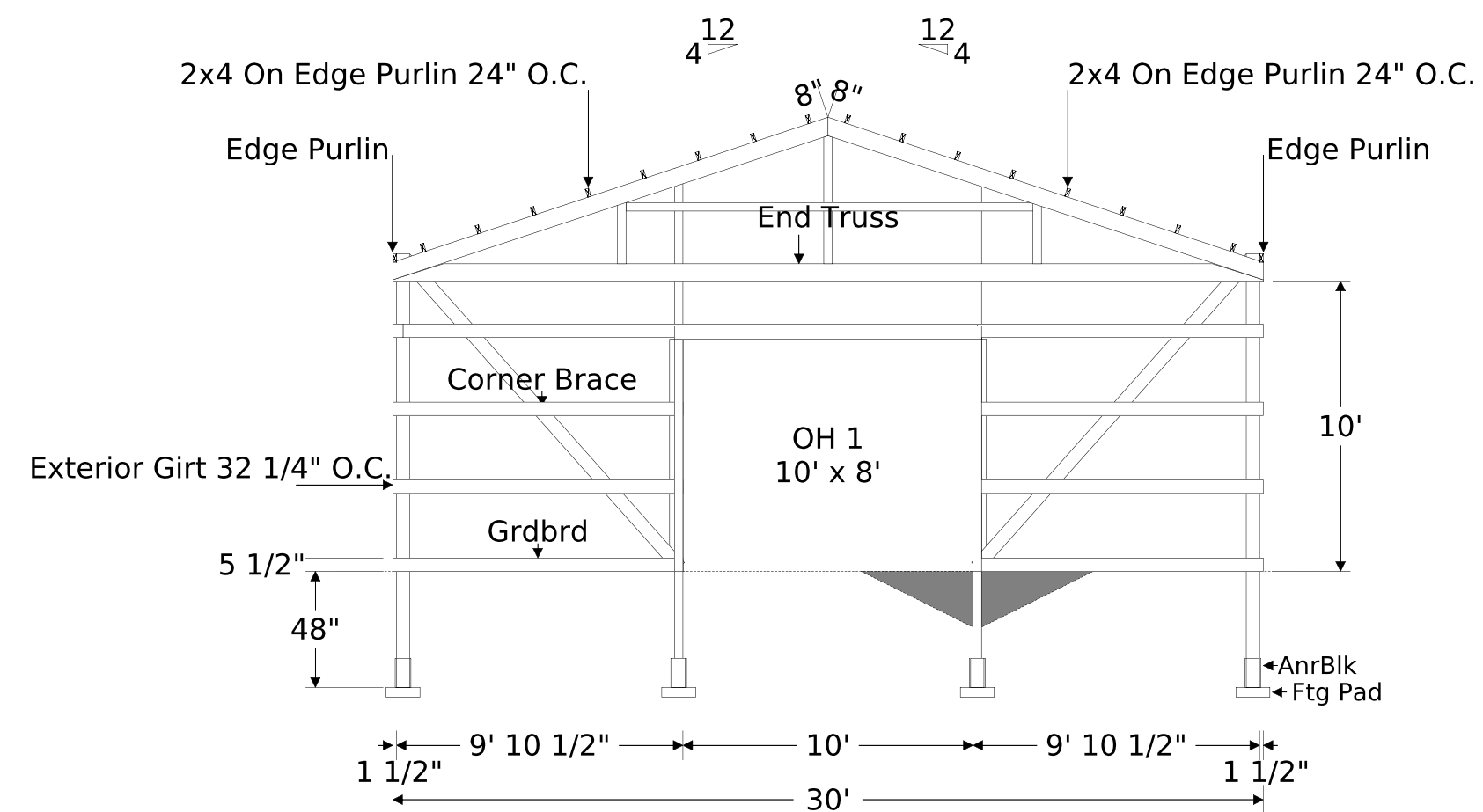
WALL 1-B FRAMING



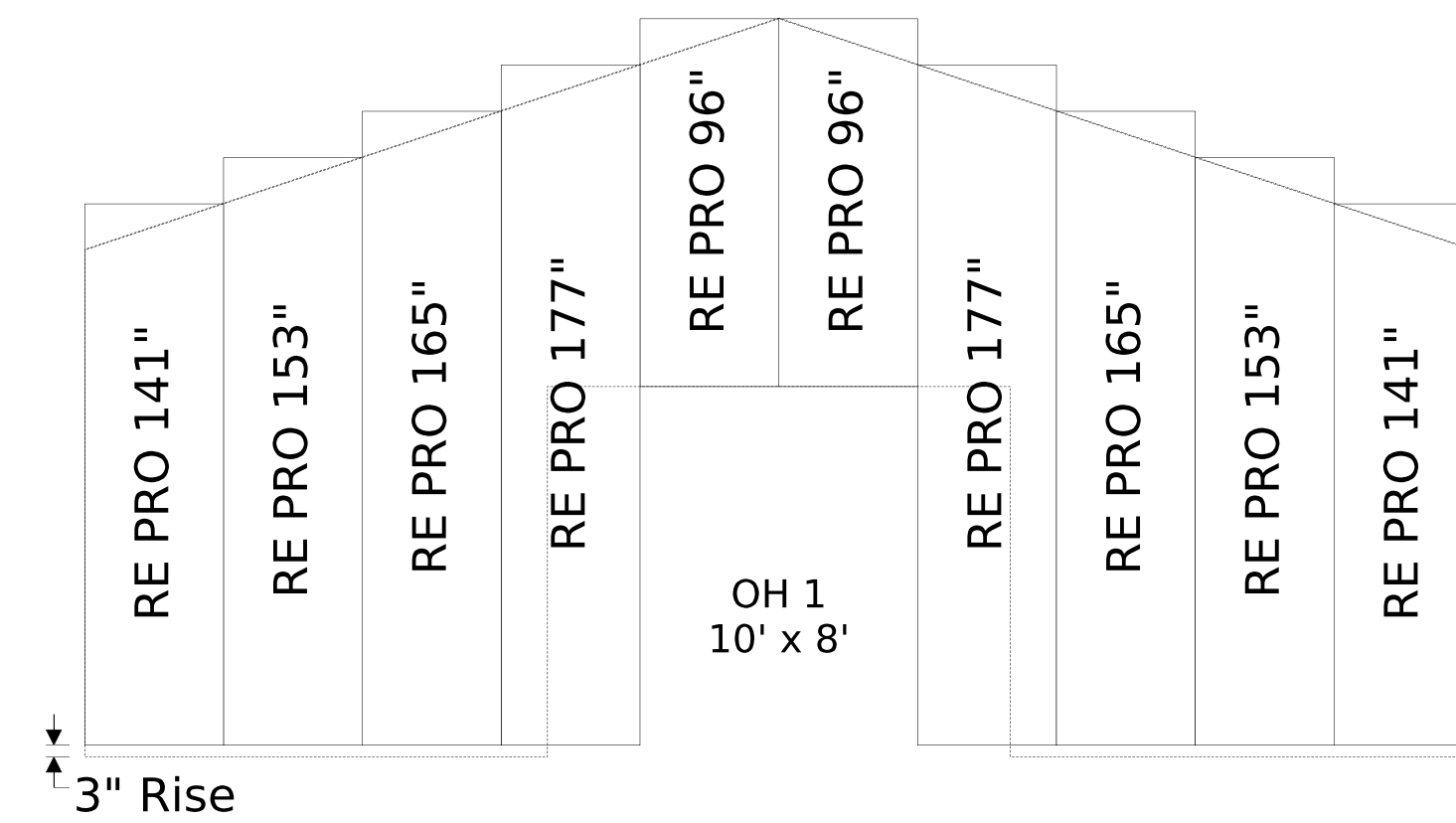
WALL 1-B STEEL



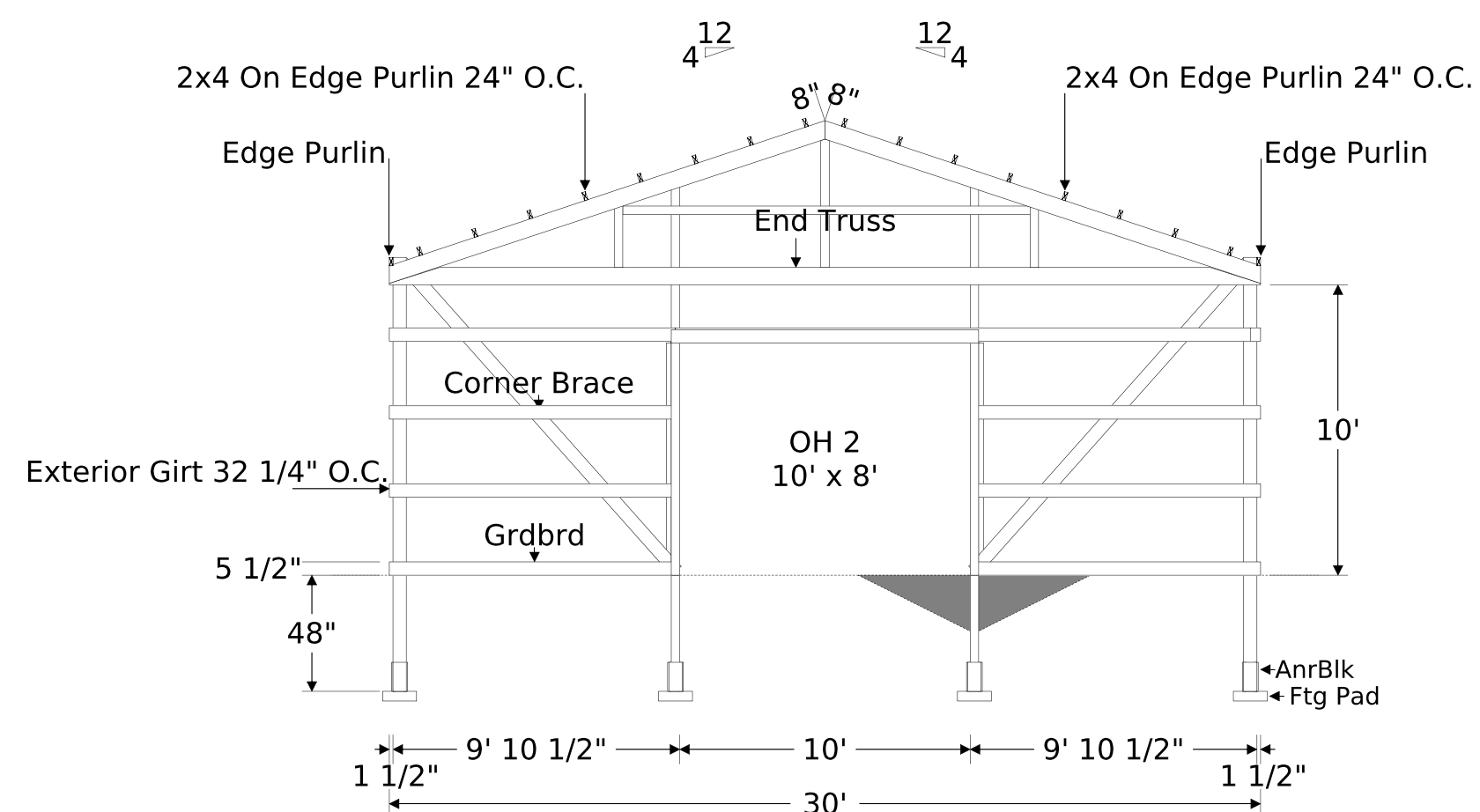
WALL 1-C FRAMING



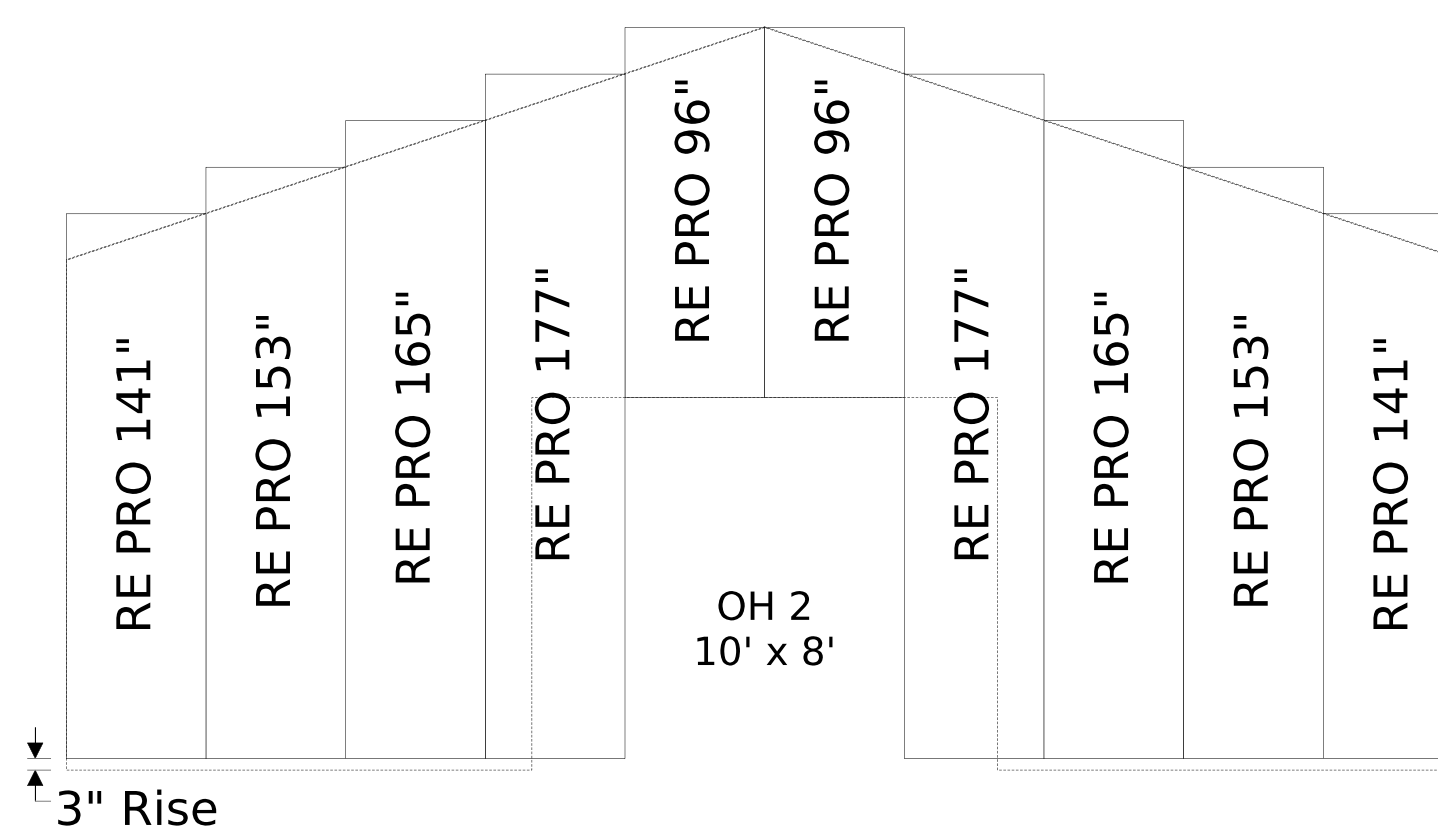
WALL 1-C STEEL



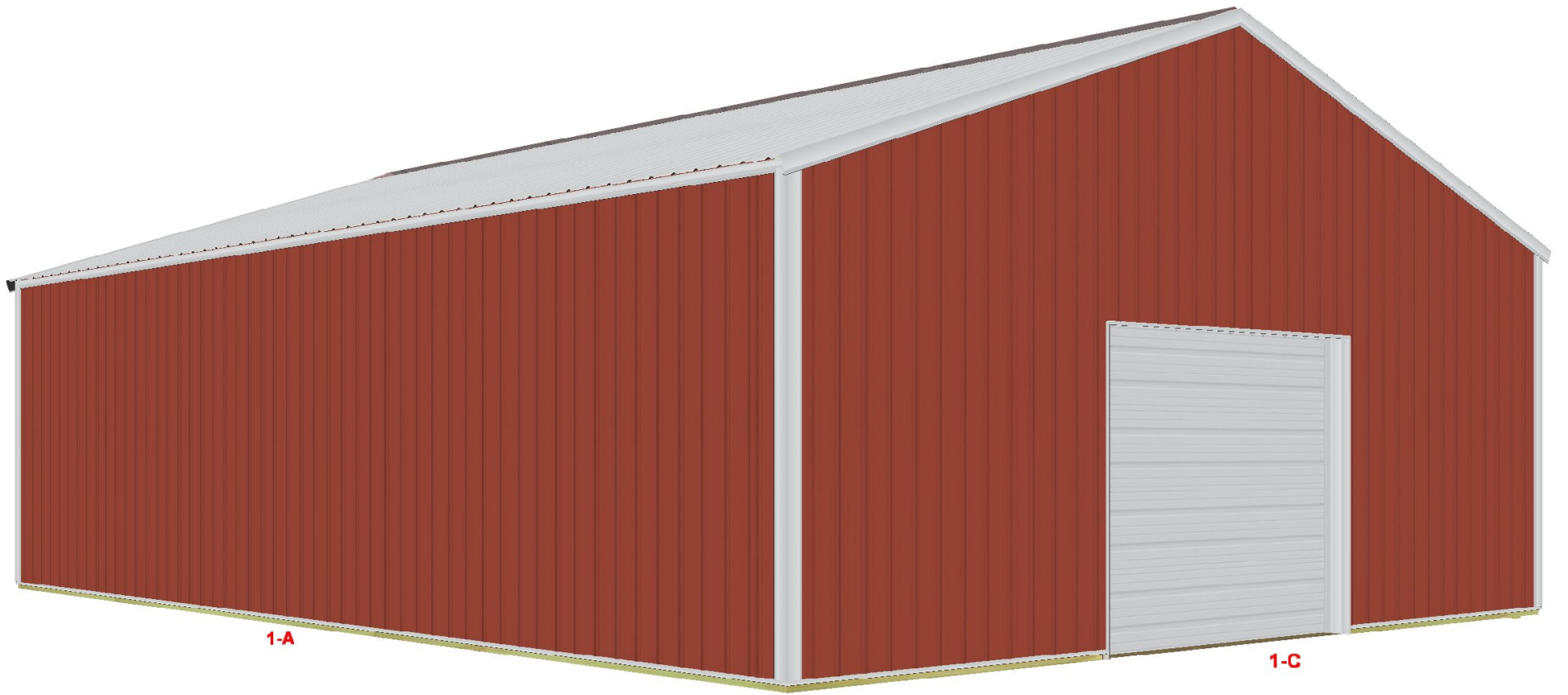
WALL 1-D FRAMING



WALL 1-D STEEL

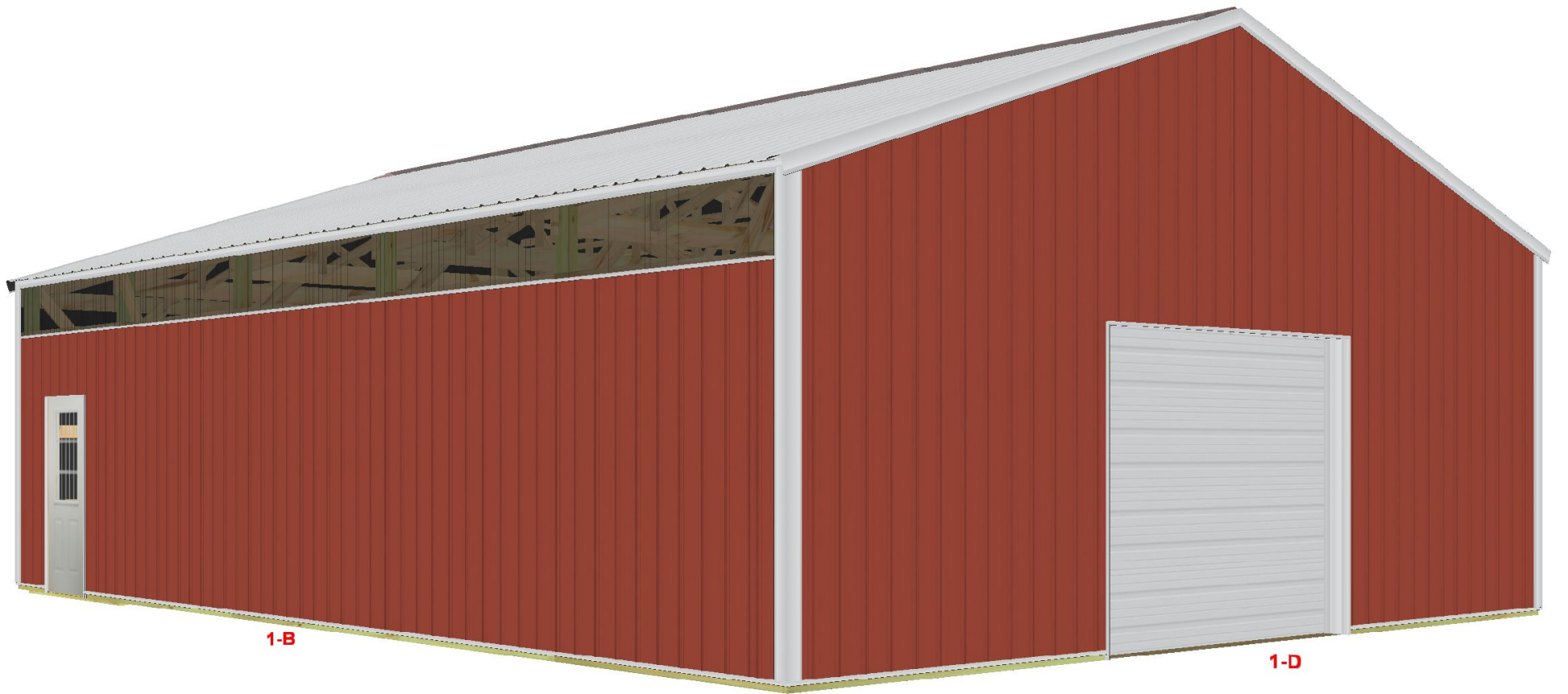


MIDWEST
MINI PRINT
FILE NUMBER:
EM623959



1-A

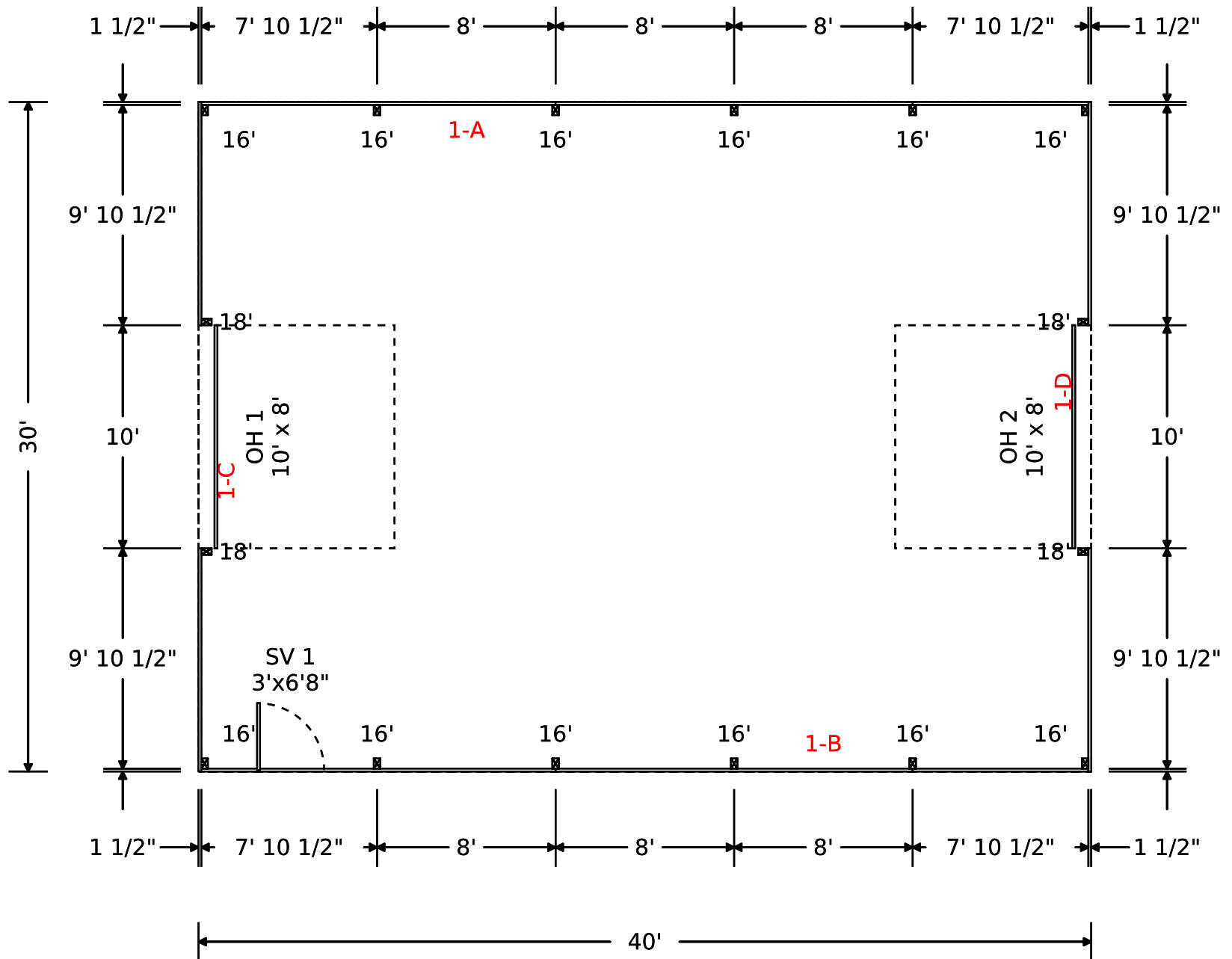
1-C



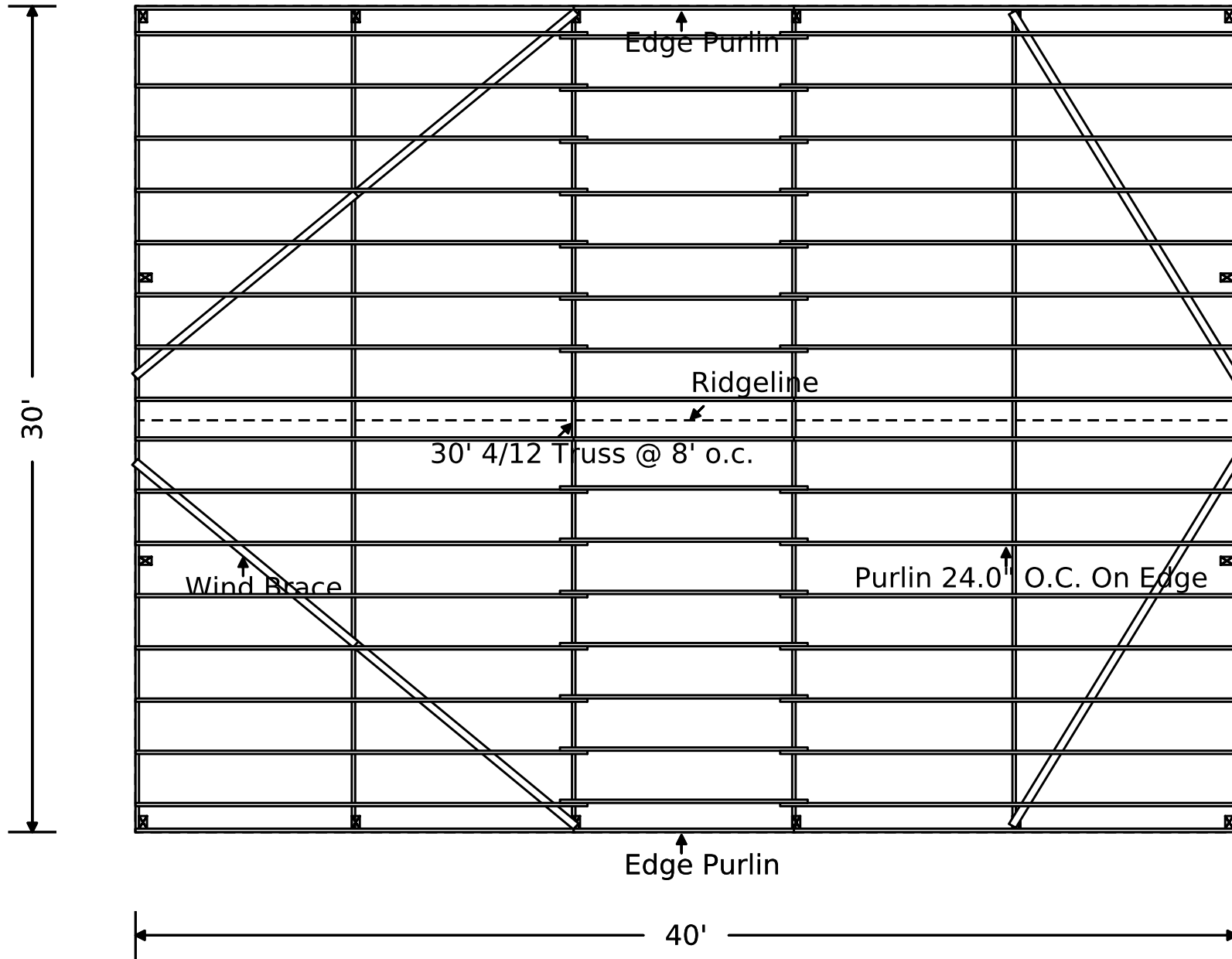
1-B

1-D

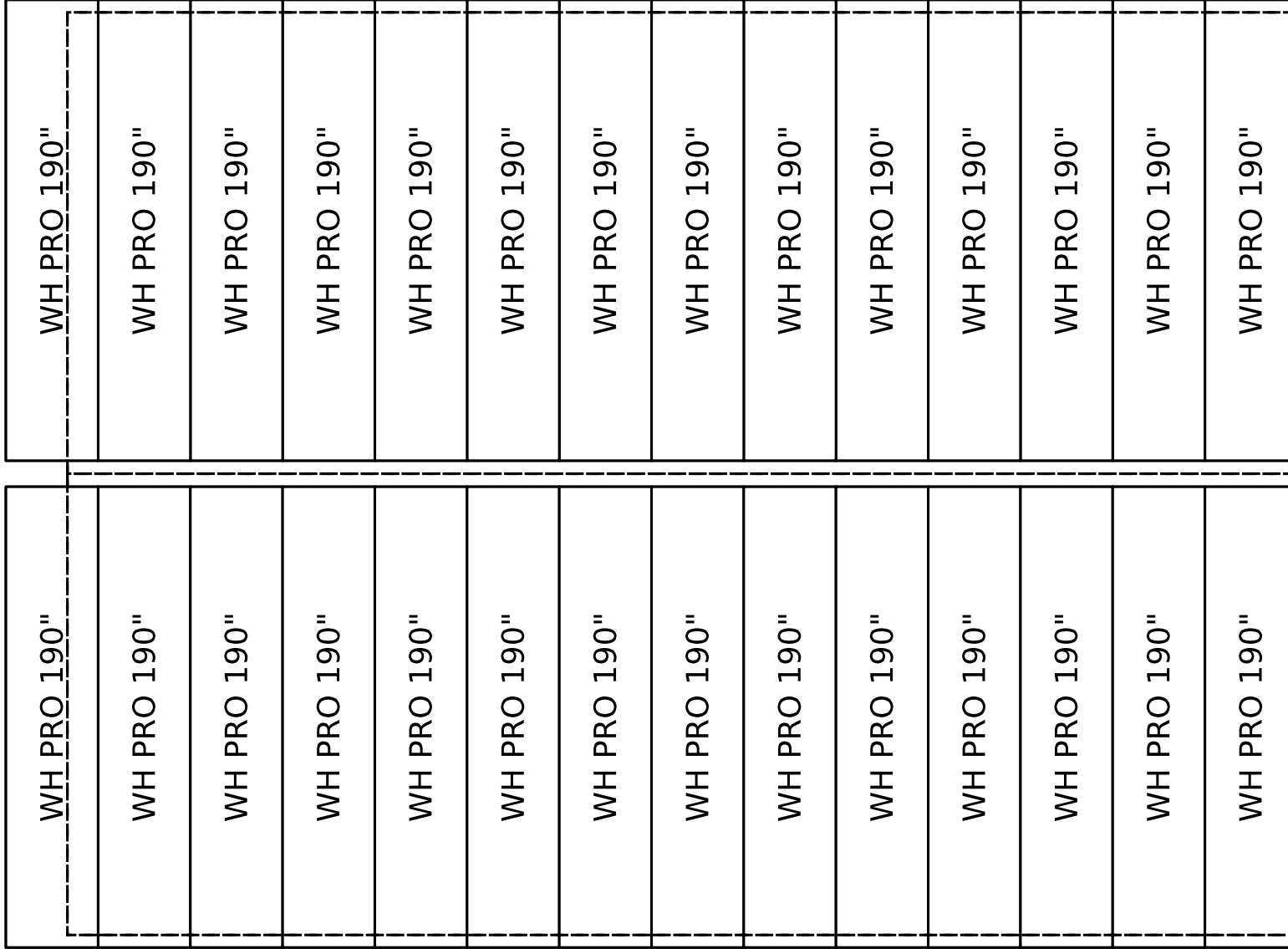
FLOOR PLAN



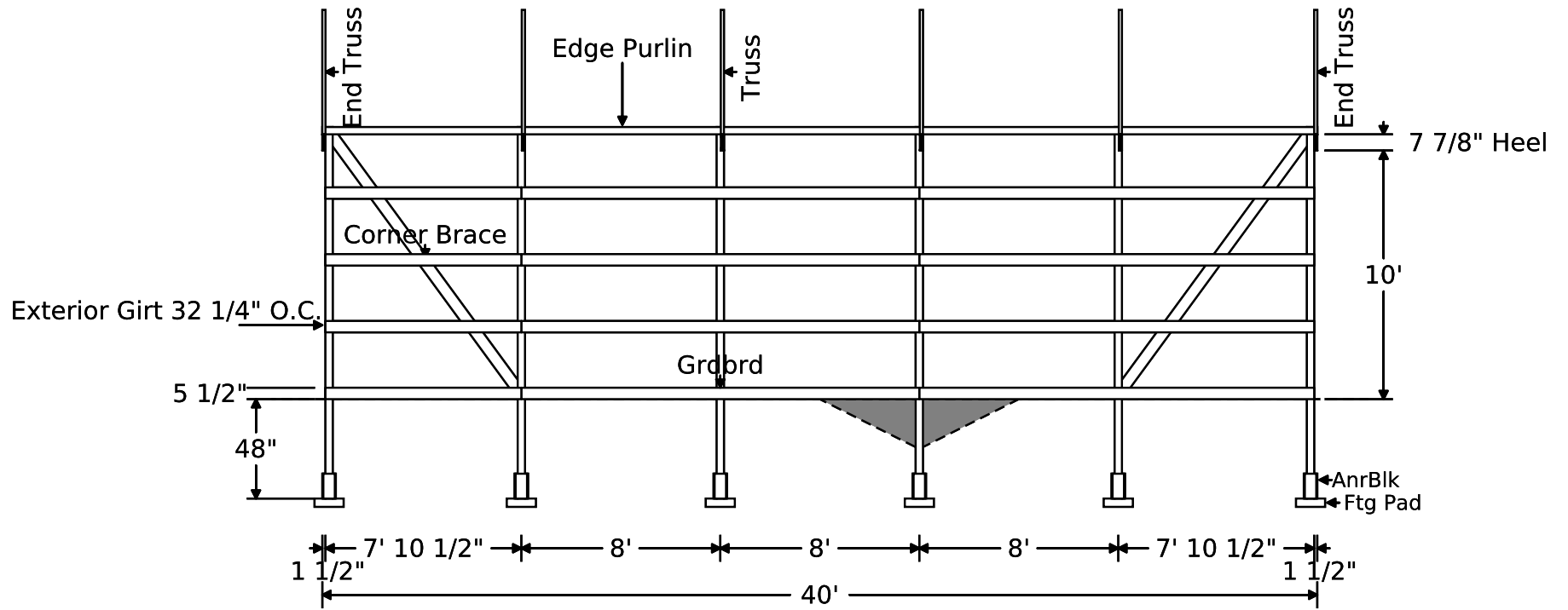
ROOF FRAMING



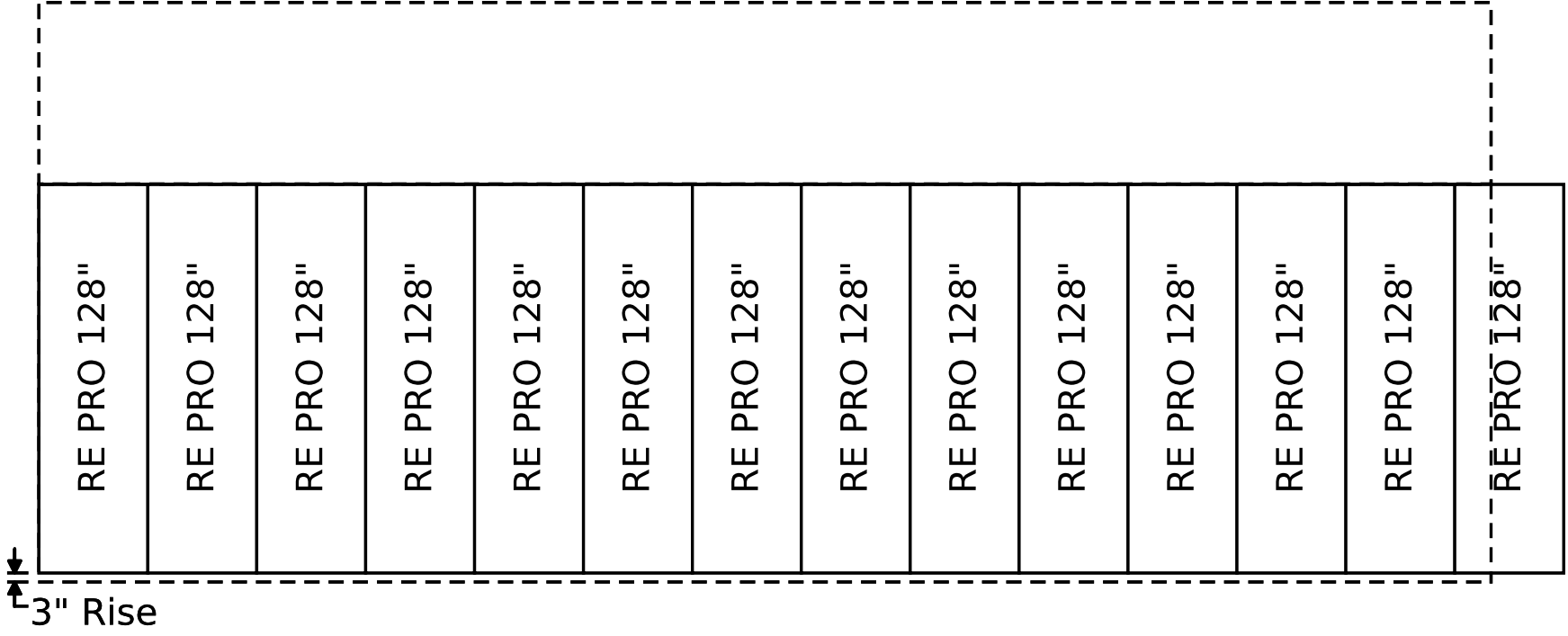
ROOF COVERING



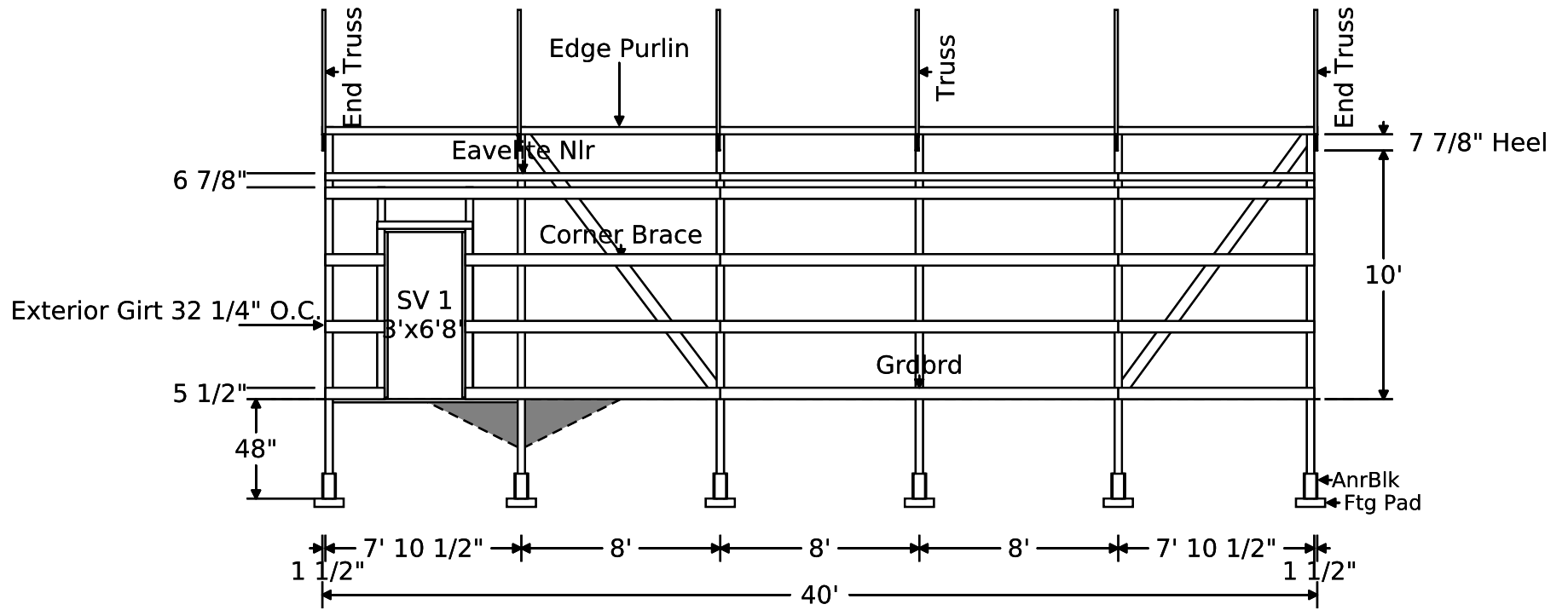
WALL 1-A FRAMING



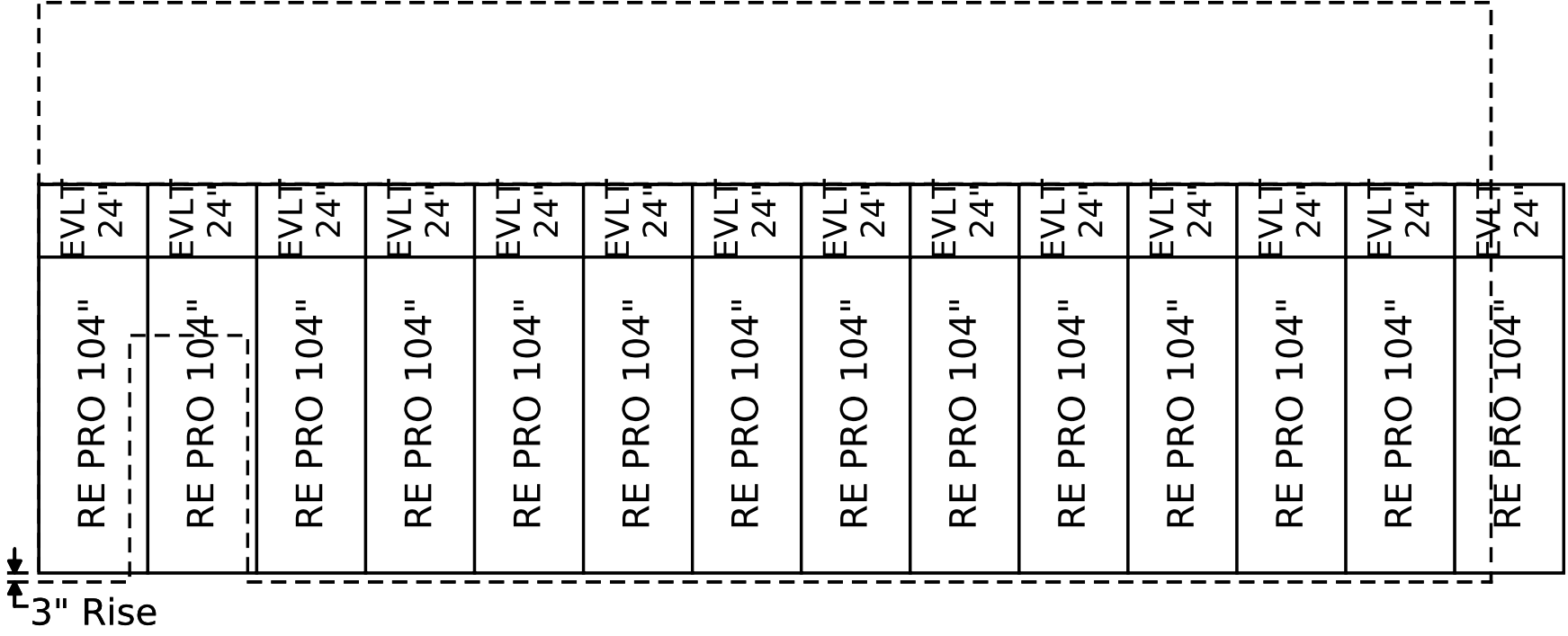
WALL 1-A STEEL



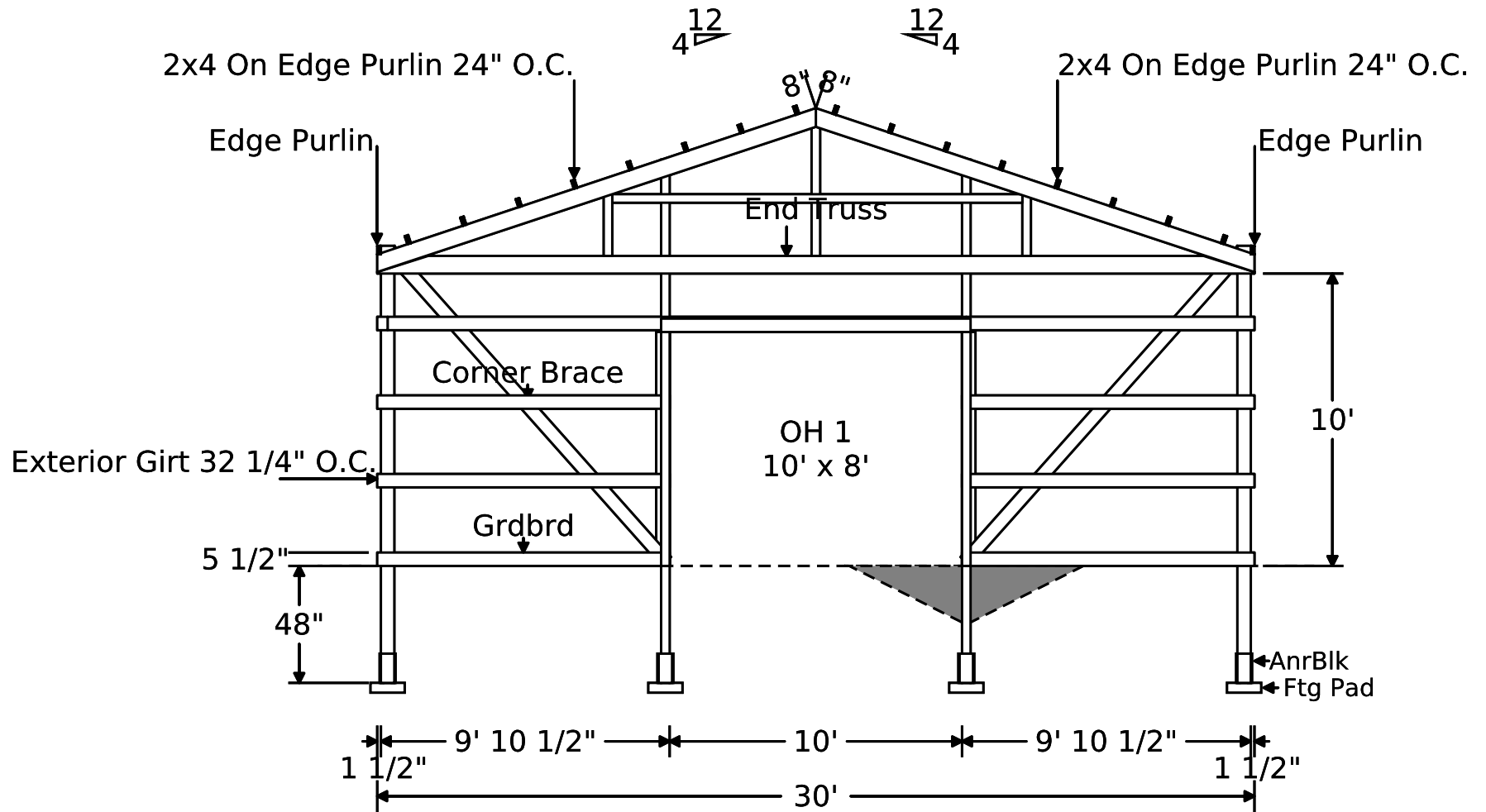
WALL 1-B FRAMING



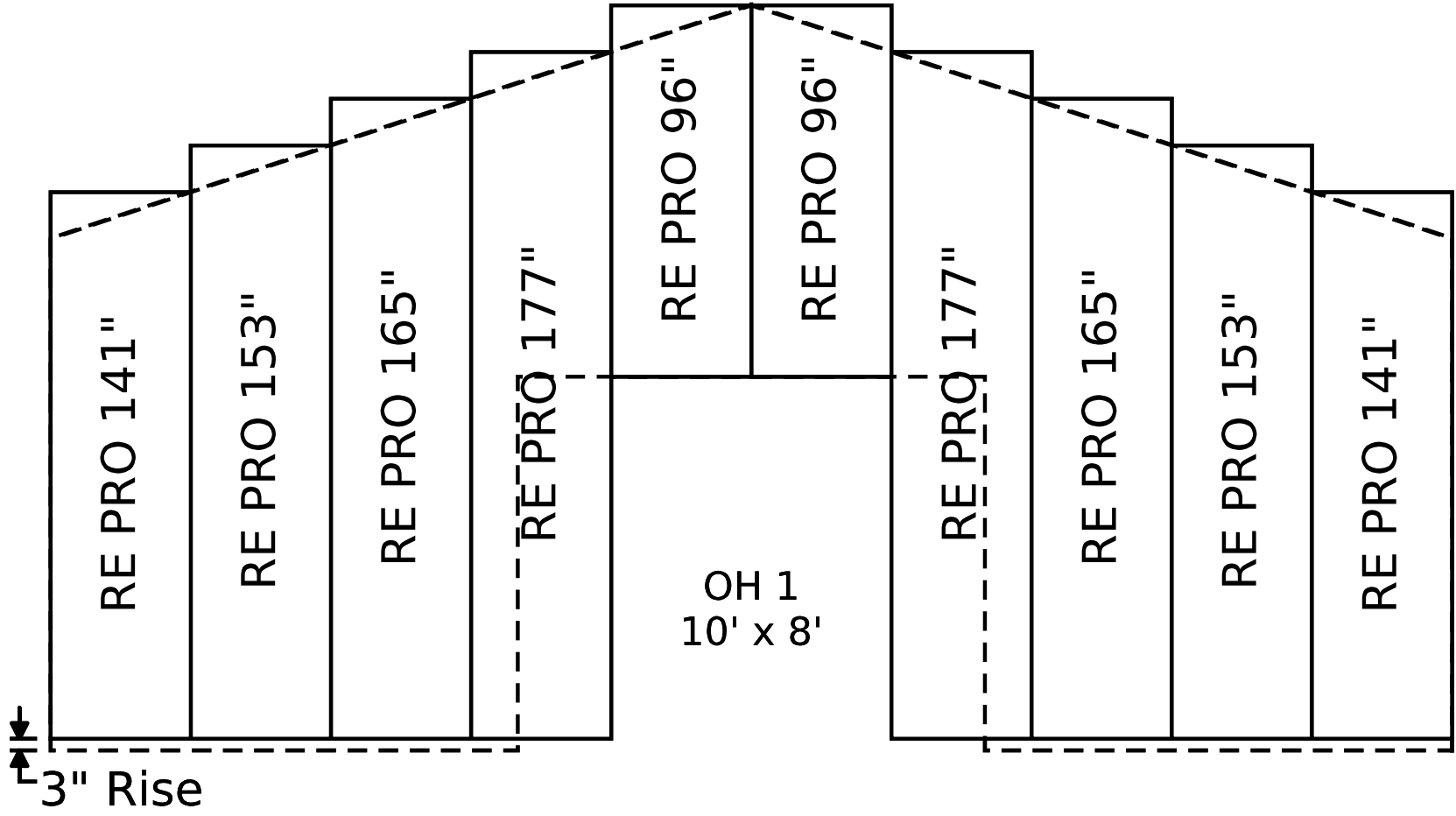
WALL 1-B STEEL



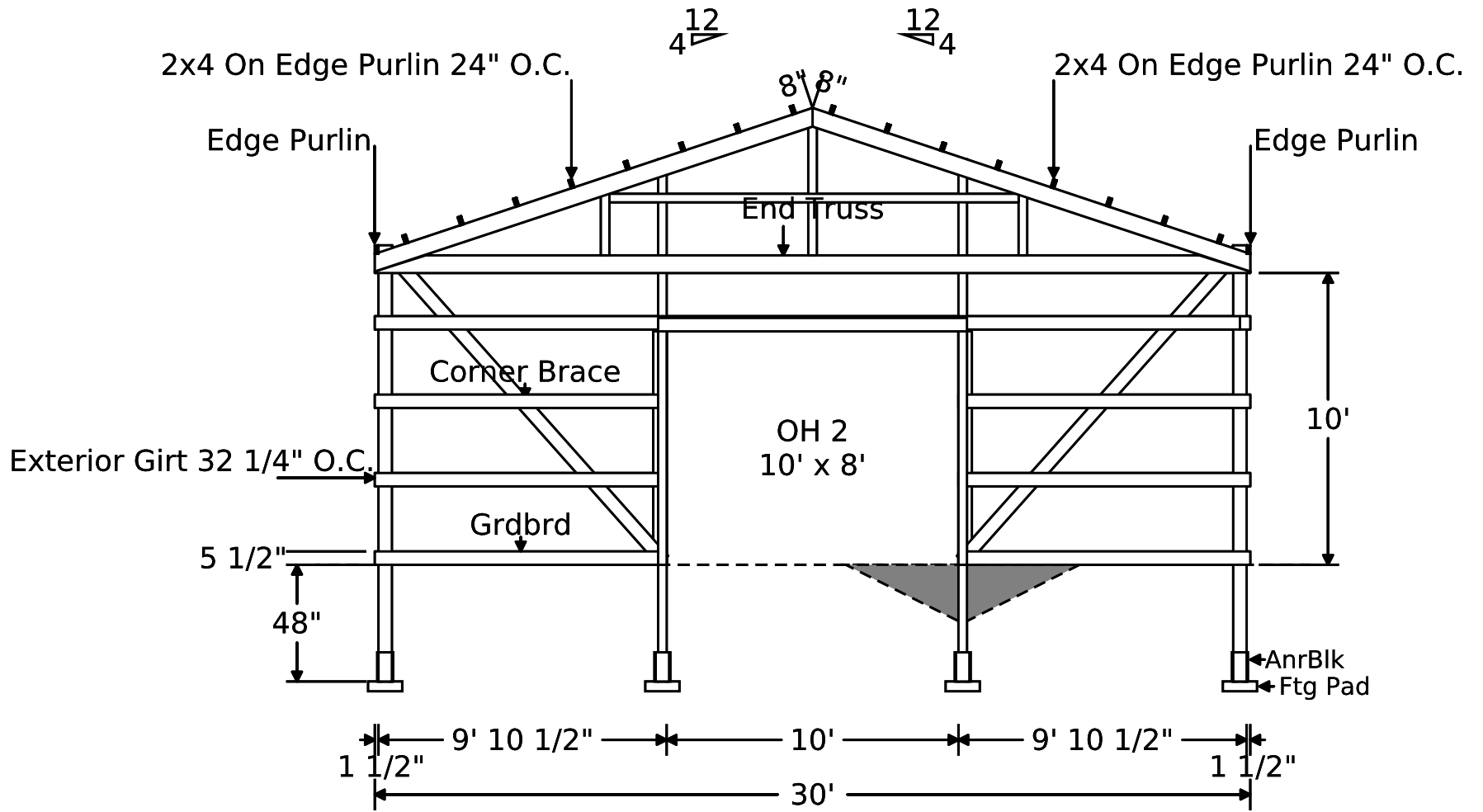
WALL 1-C FRAMING



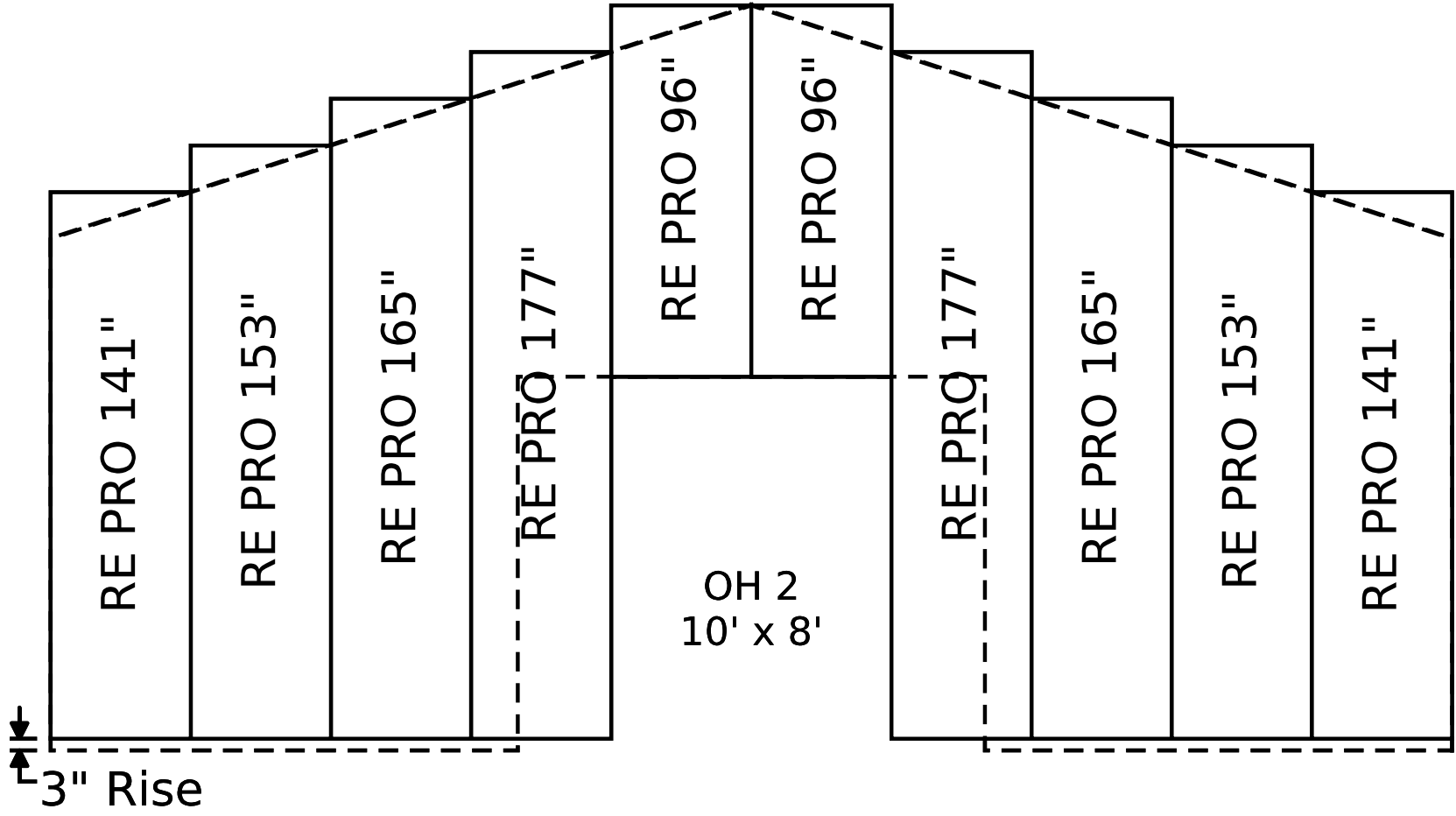
WALL 1-C STEEL



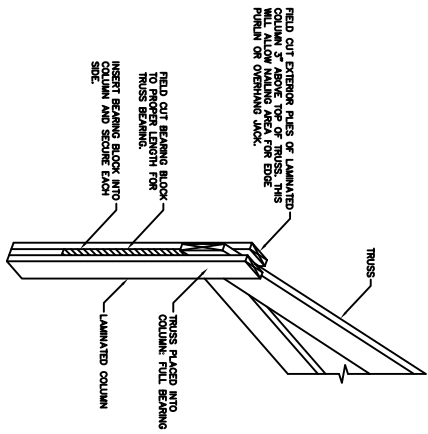
WALL 1-D FRAMING



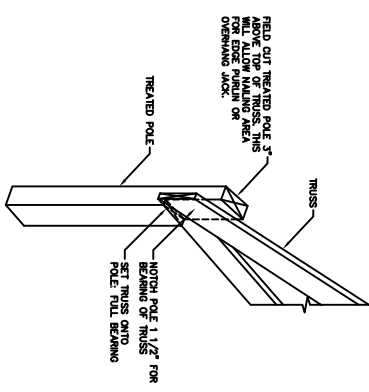
WALL 1-D STEEL



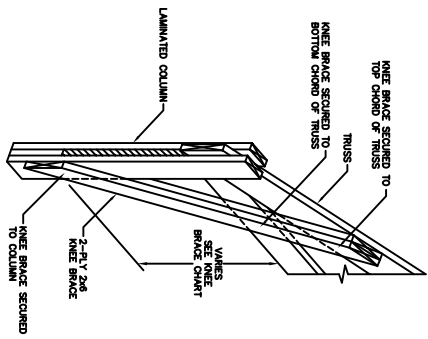
TRUSS, HEADER, AND KNEE BRACE DETAILS



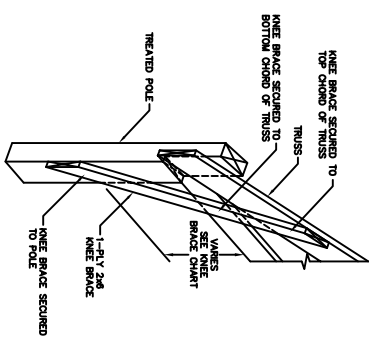
TRUSS INSTALLATION FOR LAMINATED COLUMN
NOT TO SCALE



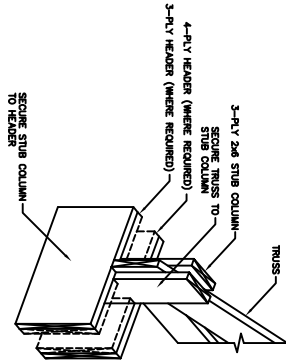
TRUSS INSTALLATION FOR TREATED POLE
NOT TO SCALE



KNEE BRACE INSTALLATION FOR LAMINATED COLUMN
NOT TO SCALE



KNEE BRACE INSTALLATION FOR TREATED POLE
NOT TO SCALE



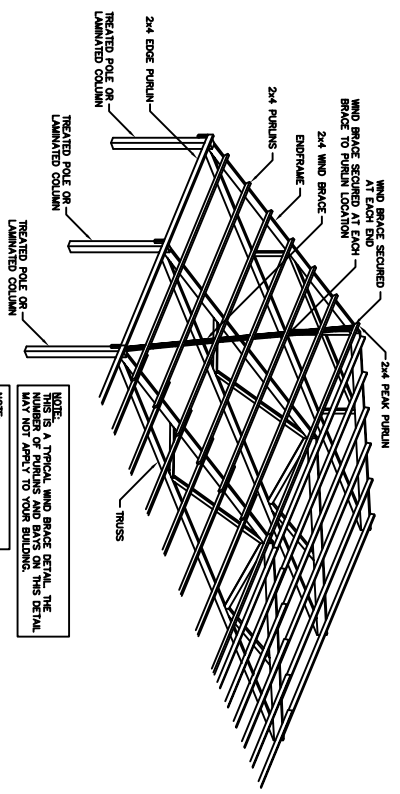
HEADER FRAMING DETAIL
NOT TO SCALE

HEADER NOTCH SCHEDULE	
HEADER PILES	DIMENSIONAL LUMBER
2-PLY HEADER	1-PLY FACE NAILED TO POLE AT EXTERIOR & 1-PLY FACE NAILED TO POLE AT INTERIOR
3-PLY HEADER	2-PILES NOTCHED 1 1/2" INTO POLE AT EXTERIOR & 1-PLY FACE NAILED TO POLE AT INTERIOR
4-PLY HEADER	2-PILES NOTCHED 1 1/2" INTO POLE AT EXTERIOR & 2-PILES NOTCHED 1 1/2" INTO POLE AT INTERIOR
HEADER PILES	L.V. LUMBER
2-PLY HEADER	1-PLY NOTCHED 1/2" INTO POLE AT EXTERIOR & 1-PLY NOTCHED 1/2" INTO POLE AT INTERIOR
3-PLY HEADER	2-PILES NOTCHED 2" INTO POLE AT EXTERIOR & 1-PLY NOTCHED 1 1/2" INTO POLE AT INTERIOR
4-PLY HEADER	2-PILES NOTCHED 2" INTO POLE AT EXTERIOR & 2-PILES NOTCHED 2" INTO POLE AT INTERIOR

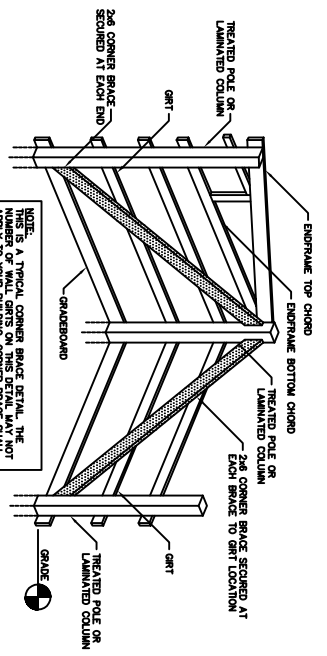
KNEE BRACE CHART	
WALL HEIGHT	DIMENSION
8'-0"	1'-6" (TRUSS TO BOTTOM OF BRACE)
9'-0"	1'-6" (TRUSS TO BOTTOM OF BRACE)
10'-0"	2'-0" (TRUSS TO BOTTOM OF BRACE)
11'-0"	2'-0" (TRUSS TO BOTTOM OF BRACE)
12'-0"	2'-0" (TRUSS TO BOTTOM OF BRACE)
13'-0"	3'-0" (TRUSS TO BOTTOM OF BRACE)
14'-0"	4'-0" (TRUSS TO BOTTOM OF BRACE)
15'-0"	4'-0" (TRUSS TO BOTTOM OF BRACE)
16'-0"	4'-0" (TRUSS TO BOTTOM OF BRACE)
17'-0"	4'-0" (TRUSS TO BOTTOM OF BRACE)
18'-0"	4'-0" (TRUSS TO BOTTOM OF BRACE)
19'-0"	4'-0" (TRUSS TO BOTTOM OF BRACE)
20'-0"	4'-0" (TRUSS TO BOTTOM OF BRACE)

NOTE.) NOT ALL THE DETAILS PROVIDED ON THIS MINI-PRINT PAGE MAY APPLY TO YOUR BUILDING. PLEASE REFER TO YOUR *HELPFUL HINTS FOR CONSTRUCTING POST FRAME BUILDINGS* IF FURTHER INFORMATION IS REQUIRED.

WIND AND CORNER BRACE DETAILS

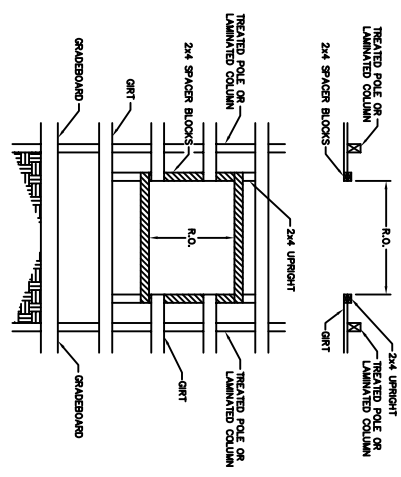
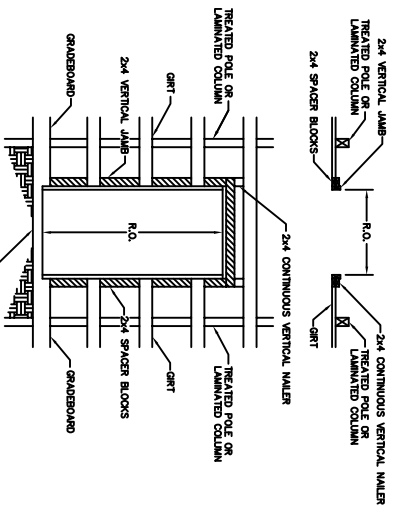


NOTE: THIS IS A TYPICAL WIND BRACE DETAIL. THE NUMBER OF BRACES AND BRAYS ON THIS DETAIL MAY VARY TO FIT YOUR BUILDING.
NOTE: SEE ROOF FRAMING PLAN FOR WIND BRACE LOCATIONS.
WIND BRACE DETAIL
NOT TO SCALE



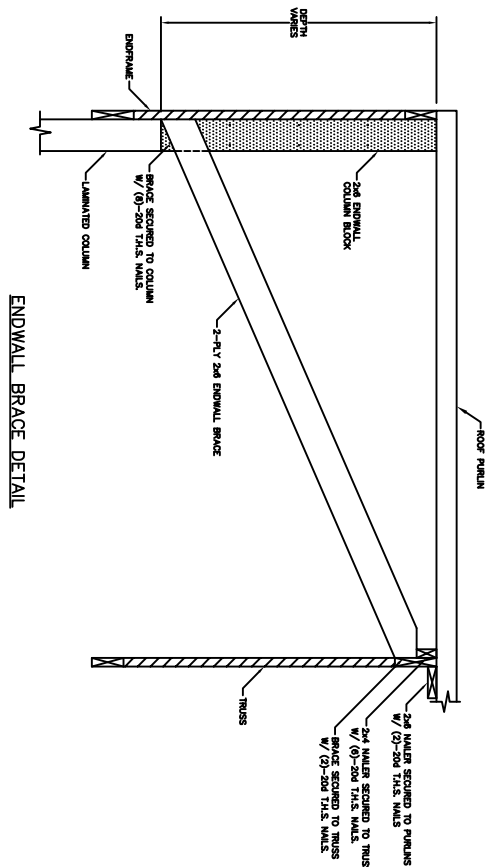
NOTE: THIS IS A TYPICAL CORNER BRACE DETAIL. THE NUMBER OF BRACES ON THIS DETAIL MAY VARY TO FIT YOUR BUILDING. CORNER BRACE SHALL EXTEND FROM GRADEBOARD. FIRST POLE/COLUMN TO USE IS CORNER POLE/COLUMN & EXPOSURE.
NOTE: SEE WALL FRAMING PLAN FOR CORNER BRACE LOCATIONS.
CORNER BRACE DETAIL
NOT TO SCALE

SERVICE DOOR AND WINDOW DETAILS

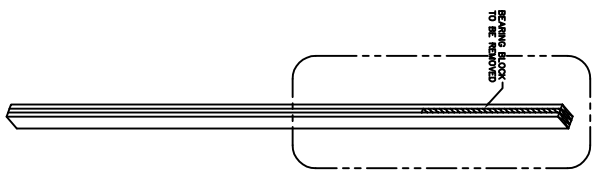


ENDWALL COLUMN BLOCK EXTENSION AND ENDWALL BRACE DETAILS

ORIGINAL COLUMN LENGTH	COLUMN LENGTH	COLUMN BLOCK EXTENSIONS					
		EXTENSION BLOCK LENGTH REQUIRED	LEFT BAY	CORNER BAY	RIGHT BAY	2nd FLOOR	ENDWALL BRACE
18'	18'	N/A	N/A	N/A	N/A	N/A	N/A
20'	20'	N/A	N/A	N/A	N/A	N/A	N/A
22'	22'	N/A	N/A	N/A	N/A	N/A	N/A
24'	24'	N/A	N/A	N/A	N/A	N/A	N/A
26'	26'	N/A	N/A	N/A	N/A	N/A	N/A
28'	28'	N/A	N/A	N/A	N/A	N/A	N/A
30'	30'	N/A	N/A	N/A	N/A	N/A	N/A
32'	32'	N/A	N/A	N/A	N/A	N/A	N/A
34'	34'	N/A	N/A	N/A	N/A	N/A	N/A
36'	36'	N/A	N/A	N/A	N/A	N/A	N/A
38'	38'	N/A	N/A	N/A	N/A	N/A	N/A
40'	40'	N/A	N/A	N/A	N/A	N/A	N/A
42'	42'	N/A	N/A	N/A	N/A	N/A	N/A
44'	44'	N/A	N/A	N/A	N/A	N/A	N/A
46'	46'	N/A	N/A	N/A	N/A	N/A	N/A
48'	48'	N/A	N/A	N/A	N/A	N/A	N/A
50'	50'	N/A	N/A	N/A	N/A	N/A	N/A
52'	52'	N/A	N/A	N/A	N/A	N/A	N/A
54'	54'	N/A	N/A	N/A	N/A	N/A	N/A
56'	56'	N/A	N/A	N/A	N/A	N/A	N/A
58'	58'	N/A	N/A	N/A	N/A	N/A	N/A
60'	60'	N/A	N/A	N/A	N/A	N/A	N/A
62'	62'	N/A	N/A	N/A	N/A	N/A	N/A
64'	64'	N/A	N/A	N/A	N/A	N/A	N/A
66'	66'	N/A	N/A	N/A	N/A	N/A	N/A
68'	68'	N/A	N/A	N/A	N/A	N/A	N/A
70'	70'	N/A	N/A	N/A	N/A	N/A	N/A
72'	72'	N/A	N/A	N/A	N/A	N/A	N/A
74'	74'	N/A	N/A	N/A	N/A	N/A	N/A
76'	76'	N/A	N/A	N/A	N/A	N/A	N/A
78'	78'	N/A	N/A	N/A	N/A	N/A	N/A
80'	80'	N/A	N/A	N/A	N/A	N/A	N/A
82'	82'	N/A	N/A	N/A	N/A	N/A	N/A
84'	84'	N/A	N/A	N/A	N/A	N/A	N/A
86'	86'	N/A	N/A	N/A	N/A	N/A	N/A
88'	88'	N/A	N/A	N/A	N/A	N/A	N/A
90'	90'	N/A	N/A	N/A	N/A	N/A	N/A
92'	92'	N/A	N/A	N/A	N/A	N/A	N/A
94'	94'	N/A	N/A	N/A	N/A	N/A	N/A
96'	96'	N/A	N/A	N/A	N/A	N/A	N/A
98'	98'	N/A	N/A	N/A	N/A	N/A	N/A
100'	100'	N/A	N/A	N/A	N/A	N/A	N/A



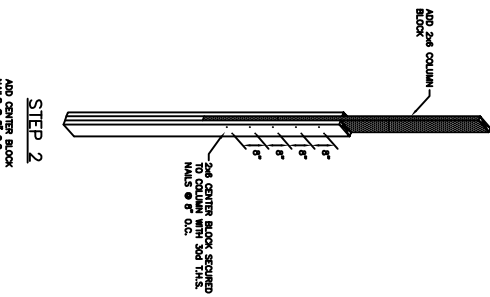
ENDWALL BRACE DETAIL



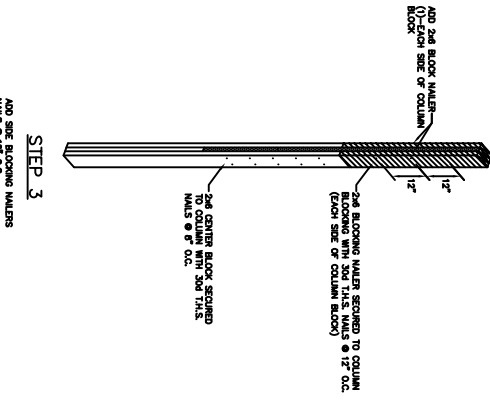
ORIGINAL COLUMN



STEP 1
REMOVE CENTER BLOCK



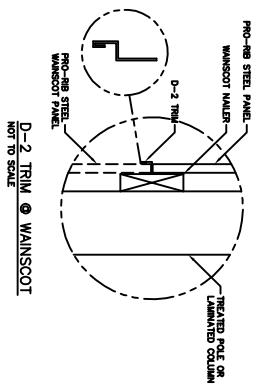
STEP 2
ADD CENTER BLOCK NAILS @ 8" O.C.



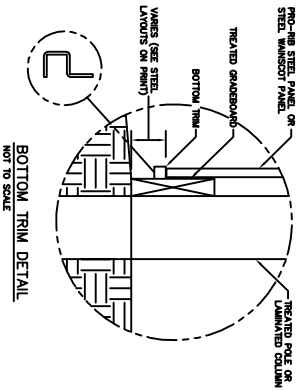
STEP 3
ADD SIDE BRACING NAILS @ 12" O.C.

ENDWALL COLUMN BLOCK EXTENSION DETAIL

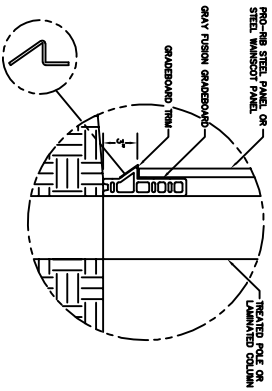
TRIM DETAILS



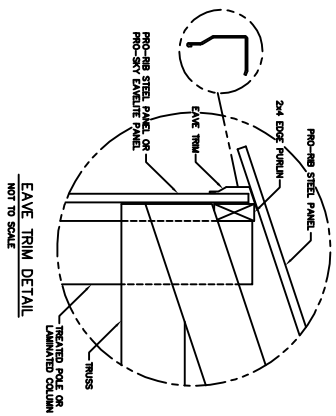
D-2 TRIM @ WAINSCOT
NOT TO SCALE



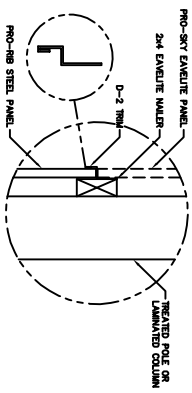
BOTTOM TRIM DETAIL
NOT TO SCALE



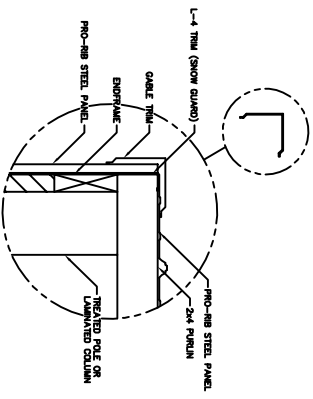
COMPOSITE GRAUEBOARD DETAIL
NOT TO SCALE



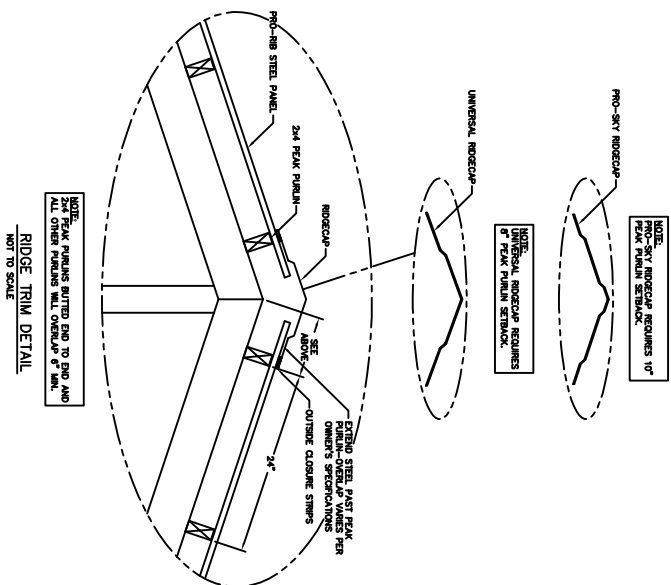
EAVE TRIM DETAIL
NOT TO SCALE



D-2 TRIM @ EAVELITE
NOT TO SCALE

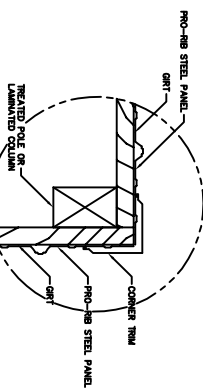


GABLE TRIM DETAIL
NOT TO SCALE



NOTE:
2x4 PEAK PURLIN BUTTED END TO END AND ALL OTHER PURLIN END OVERLAP 6\"/>

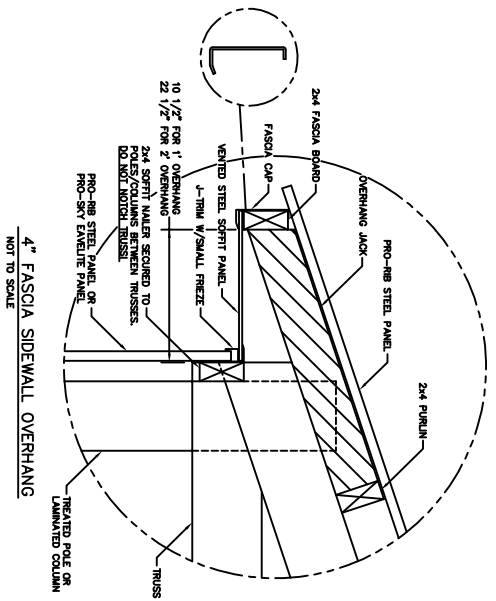
RIDGE TRIM DETAIL
NOT TO SCALE



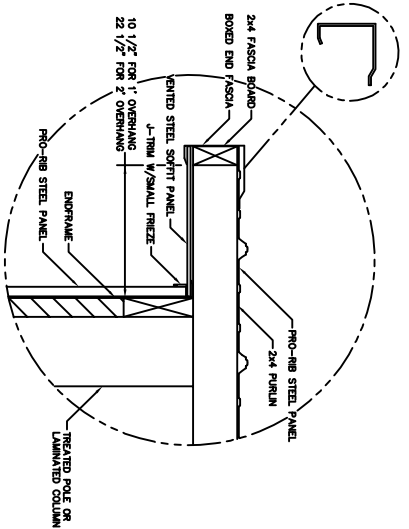
CORNER TRIM DETAIL
NOT TO SCALE

NOTE:
PRO-SKY RIDGECAP REQUIRES 10\"/>

NOTE:
UNIVERSAL RIDGECAP REQUIRES 6\"/>

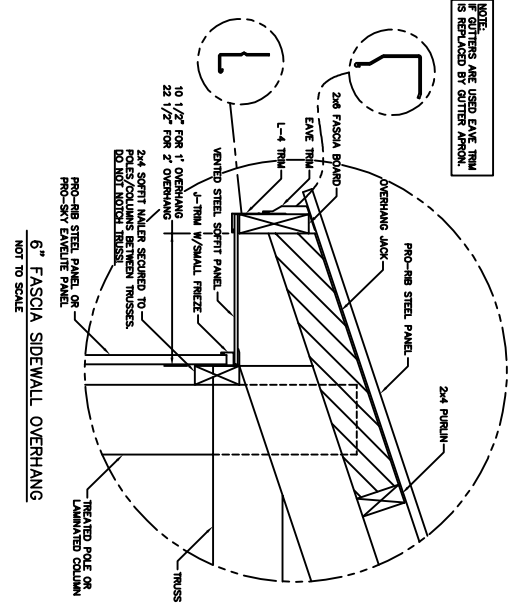


4" FASCIA SIDEWALL OVERHANG
NOT TO SCALE

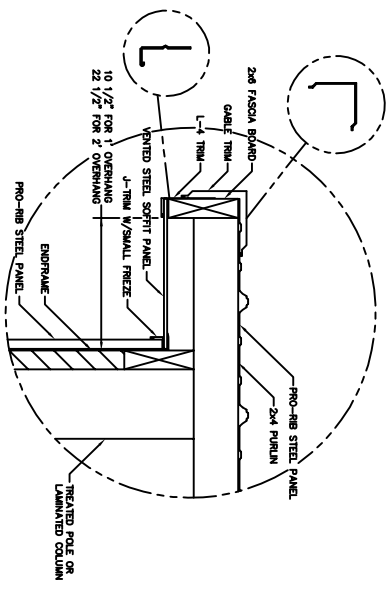


4" FASCIA ENDWALL OVERHANG
NOT TO SCALE

NOTE:
IF GUTTERS ARE USED, EAVE TRIM IS REPLACED BY GUTTER FRONT.

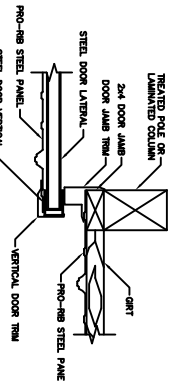
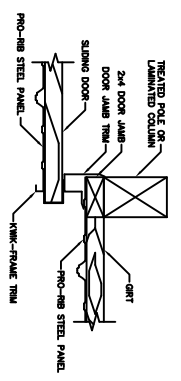
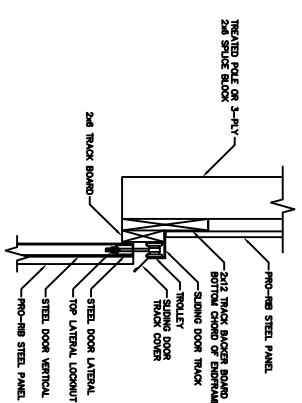
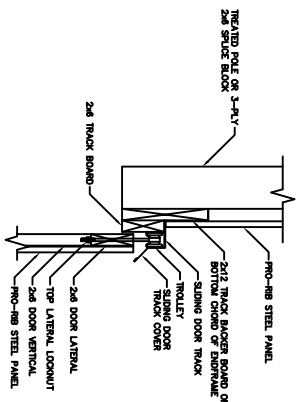
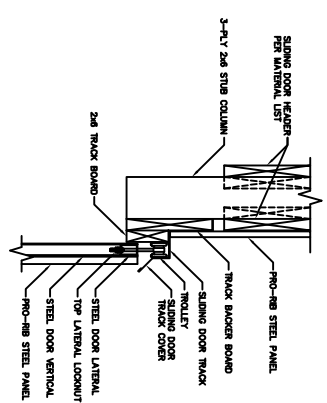
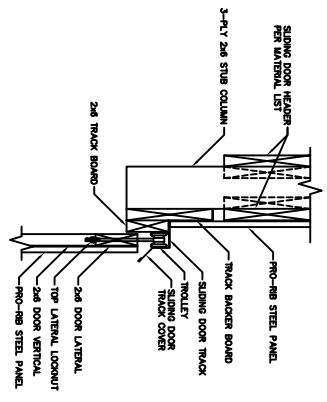
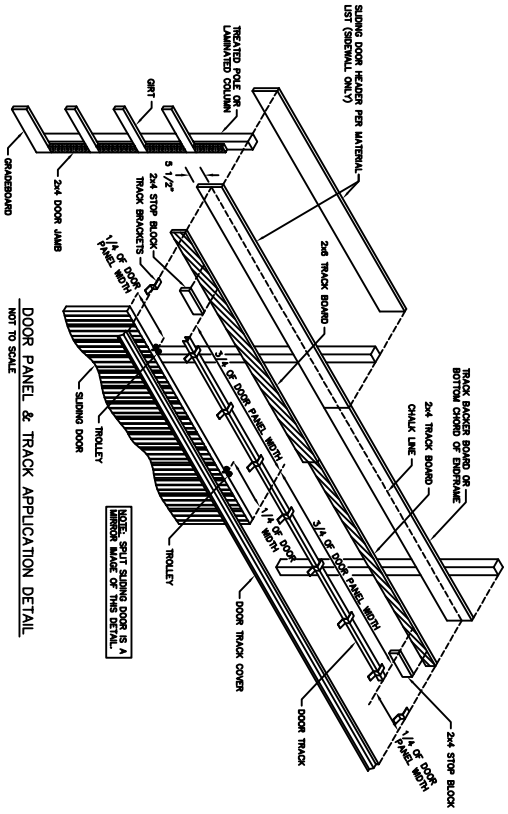


6" FASCIA SIDEWALL OVERHANG
NOT TO SCALE

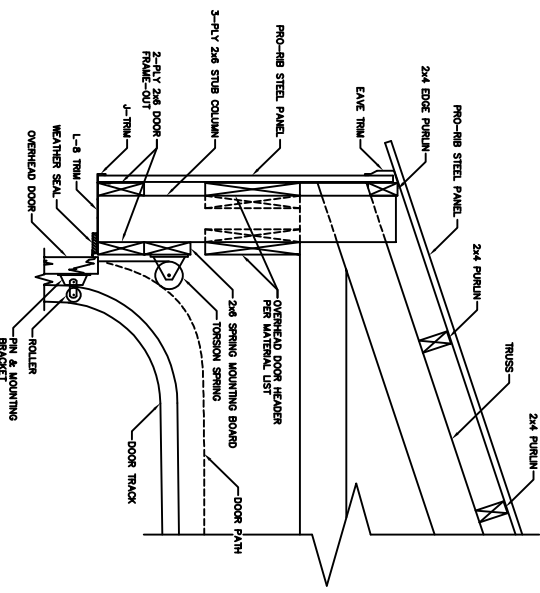


6" FASCIA ENDWALL OVERHANG
NOT TO SCALE

SLIDING DOOR DETAILS

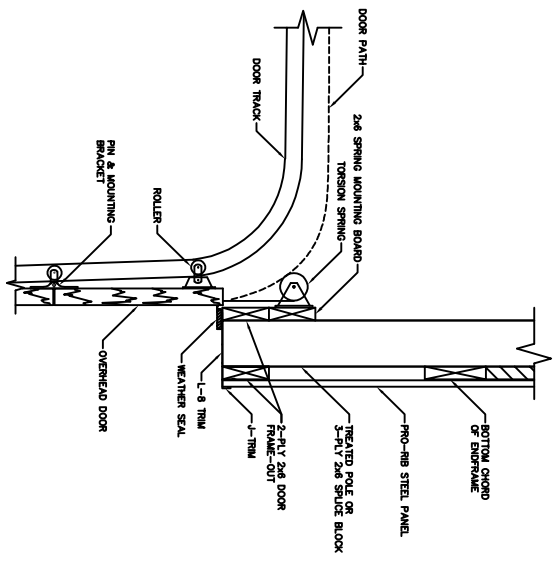


OVERHEAD DOOR DETAILS



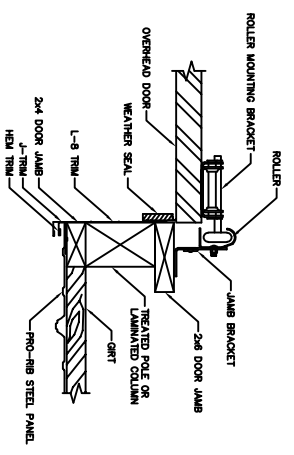
NOTE: CONTRACTOR MUST VERIFY OVERHEAD DOOR MANUFACTURER'S REQUIREMENTS WITH DOOR MANUFACTURER PRIOR TO STARTING CONSTRUCTION.

HEADER FRAMING SECTION @ SIDEWALL
NOT TO SCALE



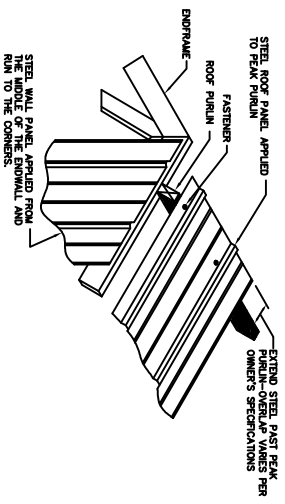
NOTE: CONTRACTOR MUST VERIFY OVERHEAD DOOR MANUFACTURER'S REQUIREMENTS WITH DOOR MANUFACTURER PRIOR TO STARTING CONSTRUCTION.

HEADER FRAMING SECTION @ ENDWALL
NOT TO SCALE

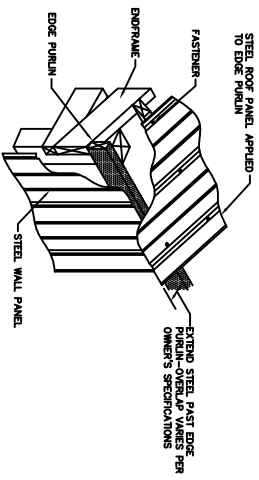


OVERHEAD DOOR JAMB DETAIL
NOTE TO SCALE

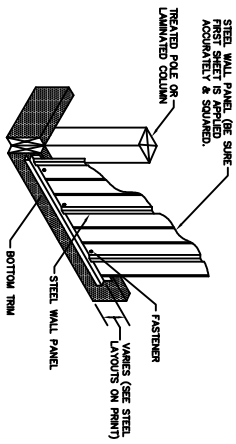
STEEL APPLICATION DETAILS



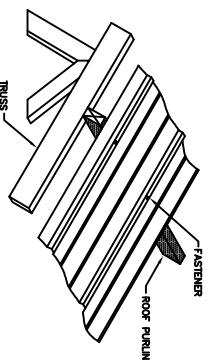
ROOF & ENDWALL STEEL APPLICATION @ GABLE PEAK



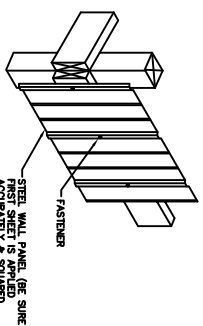
ROOF & SIDEWALL STEEL APPLICATION @ EAVE



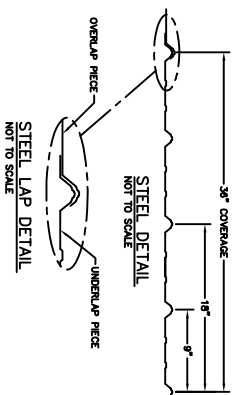
WALL STEEL APPLICATION @ GRADEBOARD



ROOF STEEL APPLICATION @ INTERMEDIATE



WALL STEEL APPLICATION @ INTERMEDIATE



STEEL LAP DETAIL NOT TO SCALE

JOSH JIRASEK**BAXTER****Quote #: 362293 Design #: 1****Design ID: 316352212914****3/25/2024****Material Allocation & Usage**

Sku	Quantity	Size	Description	Color	Usage
1004546	4	4/12 30'	30' 4/12 Post Frame, 60#GSL, 20-4-0-1, 8' oc, 7 7/8" Heel		Truss
1004546	2	4/12 30'	30' 4/12 Post Frame End, 60#GSL, 20-4-0-1, 4' oc, 7 7/8" Heel		End Truss
1097193	4	4x6-18'	4x6-18' Cca Green Treated S4s Cs .60		Opening Post
1097181	4	4x6-16'	4x6-16' Cca Green Treated S4s Cs .60		Corner Post
1097181	8	4x6-16'	4x6-16' Cca Green Treated S4s Cs .60		Side Post
1095111	16	2x6-2'	12" Trtd Anchor Block Spec Order		End AnrBlk
1095111	48	2x6-2'	12" Trtd Anchor Block Spec Order		Side AnrBlk
1794218	4	4x14	14"x4" Footing Pad 40 Lb Concrete		End Ftg Pad
1794218	12	4x14	14"x4" Footing Pad 40 Lb Concrete		Side Ftg Pad
1021143	3	2x4-16'	2x4-16' #2&btr Spf Const./framing		Edge Purlin
1021156	2	2x4-18'	2x4-18' #2&btr Spf Const./framing		Edge Purlin
1021156	5	2x4-18'	2x4-18' #2&btr Spf Const./framing		Web Lat Brace
1021774	1	2x6-12'	2x6-12' #2&btr Spf Const./framing		1-C Girt
1021813	3	2x6-20'	2x6-20' #2&btr Spf Const./framing		1-C Girt
1021156	10	2x4-18'	2x4-18' #2&btr Spf Const./framing		Lat Brace
1021787	4	2x6-14'	2x6-14' #2&btr Spf Const./framing		Knee Brace
1021758	1	2x6-8'	2x6-8' Stud/#2&btr Spf Const./framing		1-B Girt
1021790	7	2x6-16'	2x6-16' #2&btr Spf Const./framing		1-B Girt
1021017	1	2x4-8'	2x4-8' Premium/select Const./framing		Eavelite Nlr
1021143	2	2x4-16'	2x4-16' #2&btr Spf Const./framing		Eavelite Nlr
1021143	3	2x4-16'	2x4-16' #2&btr Spf Const./framing		Purlin
1021156	37	2x4-18'	2x4-18' #2&btr Spf Const./framing		Purlin
1111024	1	2x6-8'	2x6-8' Ac2 Green Treated Ground Contact		1-A Grdbrd
1111066	2	2x6-16'	2x6-16' Ac2 Green Treated Ground Contact		1-A Grdbrd
1021127	4	2x4-12'	2x4-12' #2&btr Spf Const./framing		Wind Brace
1021156	2	2x4-18'	2x4-18' #2&btr Spf Const./framing		Wind Brace
1111082	1	2x6-20'	2x6-20' Ac2 Green Treated Ground Contact		1-D Grdbrd
1021787	4	2x6-14'	2x6-14' #2&btr Spf Const./framing		Corner Brace

1021790	4	2x6-16'	2x6-16' #2&btr Spf Const./framing		Corner Brace
1021774	1	2x6-12'	2x6-12' #2&btr Spf Const./framing		1-D Girt
1021813	3	2x6-20'	2x6-20' #2&btr Spf Const./framing		1-D Girt
1111082	1	2x6-20'	2x6-20' Ac2 Green Treated Ground Contact		1-C Grdbrd
1111024	1	2x6-8'	2x6-8' Ac2 Green Treated Ground Contact		1-B Grdbrd
1111066	2	2x6-16'	2x6-16' Ac2 Green Treated Ground Contact		1-B Grdbrd
1021758	1	2x6-8'	2x6-8' Stud/#2&btr Spf Const./framing		1-A Girt
1021790	7	2x6-16'	2x6-16' #2&btr Spf Const./framing		1-A Girt
1558205	1.013	4 - 96"	Pro-rib Red .0142bp-.0165ap	Red	End Wall
1558205	1.868	4 - 177"	Pro-rib Red .0142bp-.0165ap	Red	End Wall
1558205	1.742	4 - 165"	Pro-rib Red .0142bp-.0165ap	Red	End Wall
1558205	1.615	4 - 153"	Pro-rib Red .0142bp-.0165ap	Red	End Wall
1558205	1.488	4 - 141"	Pro-rib Red .0142bp-.0165ap	Red	End Wall
1558205	3.842	14 - 104"	Pro-rib Red .0142bp-.0165ap	Red	Side Wall
1558205	4.729	14 - 128"	Pro-rib Red .0142bp-.0165ap	Red	Side Wall
1558182	14.039	28 - 190"	Pro-rib White .0142bp-.0165ap	White	Roof
1558742	7	48x36x0.75	4' Pro-sky Panel Clear		Side Eavelite
1563915	4	10'	10' Corner And Gable Trim Spo Colors	White	Gable Trim
1563957	2	14'	14' Corner And Gable Trim Spo Colors	White	Gable Trim
1564765	5	10'	10' Hemmed D-2 Trim Spo Colors	White	D2 Trim
1564545	11	12' 3"	12'3" Bottom Trim Spo Colors	White	Bottom Trim
1564639	7	12' 3"	12'3" Eave Trim Spo Colors	White	Eave Trim
1563931	4	12'	12' Corner And Gable Trim Spo Colors	White	Corner Trim
1558467	5	10'	10' Pro-sky Ridge Cap 24" X 10' Clr	White	Ridge
4140357	1	3'x6' 8"	I-4 9-lite Steel Ph 36x80 Lh Sn	White	SV 1
4171664	1	192x2x0.44	Pvc Garage Dr Stop Wht 7/16x2x16'		OH 1 Weatherstrip
4171635	2	108x2x0.44	Pvc Garage Dr Stop Wht 7/16x2x9'		OH 1 Weatherstrip
4171664	1	192x2x0.44	Pvc Garage Dr Stop Wht 7/16x2x16'		OH 2 Weatherstrip
4171635	2	108x2x0.44	Pvc Garage Dr Stop Wht 7/16x2x9'		OH 2 Weatherstrip
4259116	1	10'x8'	10x8 Wht Noninsl Rib Tors 12"radis C5est	White	OH 1
4259116	1	10'x8'	10x8 Wht Noninsl Rib Tors 12"radis C5est	White	OH 2

2218723	1		Sc Combo Tylo/db Sng Cyl 690t26d Codek6		SV 1 Knob
4251075	1	6x6- 6"	Keyed Lock Set #1024050		OH 1 Lock Set
4251075	1	6x6- 6"	Keyed Lock Set #1024050		OH 2 Lock Set
1566721	2	10'	10' Hem Trim Spo Colors	White	SV 1 Out. Hem Trim
1566857	2	8' 6"	8'6" L-8 Fascia Door Angle	White	OH 1 Out. Jamb Trim
1566886	1	10' 6"	10'6" L-8 Fascia Door Angle	White	OH 1 Out. Jamb Trim
1566433	1	16' 3"	16'3" J-trim Spo Colors	White	OH 1 Out. J-Trim
1566721	2	10'	10' Hem Trim Spo Colors	White	OH 1 Out. Hem Trim
1021774	1	2x6-12'	2x6-12' #2&btr Spf Const./framing		OH 1 Mnt Brd
1566857	2	8' 6"	8'6" L-8 Fascia Door Angle	White	OH 2 Out. Jamb Trim
1566886	1	10' 6"	10'6" L-8 Fascia Door Angle	White	OH 2 Out. Jamb Trim
1021774	1	2x6-12'	2x6-12' #2&btr Spf Const./framing		OH 2 Mnt Brd
1566349	1	10'	10' J-trim Spo Colors	White	OH 2 Ext Hrз J Trim
1566310	1	8' 6"	8'6" J-trim Spo Colors	White	SV 1 Ext Hrз J Trim
1566433	1	16' 3"	16'3" J-trim Spo Colors	White	SV 1 Out. J-Trim
1566433	1	16' 3"	16'3" J-trim Spo Colors	White	OH 2 Out. J-Trim
1021143	1	2x4-16'	2x4-16' #2&btr Spf Const./framing		OH 2 Jamb Nlr
1021790	1	2x6-16'	2x6-16' #2&btr Spf Const./framing		OH 2 Int Jmb Nlr
1021790	1	2x6-16'	2x6-16' #2&btr Spf Const./framing		OH 1 Int Jmb Nlr

1566721	2	10'	10' Hem Trim Spo Colors	White	OH 2 Out. Hem Trim
1021774	2	2x6-12'	2x6-12' #2&btr Spf Const./framing		OH 1 Frmout
1021774	2	2x6-12'	2x6-12' #2&btr Spf Const./framing		OH 2 Frmout
1021143	1	2x4-16'	2x4-16' #2&btr Spf Const./framing		OH 1 Jamb Nlr
1566349	1	10'	10' J-trim Spo Colors	White	OH 1 Ext Hrz J Trim
1110818	1	2x4-8'	2x4-8' Ac2 Green Trtd Ground Contact		SV 1 Framing
1021017	1	2x4-8'	2x4-8' Premium/select Const./framing		SV 1 Framing
1021130	2	2x4-14'	2x4-14' #2&btr Spf Const./framing		SV 1 Framing
1021156	1	2x4-18'	2x4-18' #2&btr Spf Const./framing		SV 1 Framing
1558603	7	3'	Pro-rib Outside Closure Strip 4 Pack So		Extclsrstrp
1558616	7	3'	Pro-rib Inside Closure Strip 4 Pack So		Intclsrstrp
2301671	1	2"	2" Woodgrip Painted Screw 1lb Box	White	Steel - Trim Fastener
2301370	2	3"	10d Polebarn Hdg Nail 5lb Box		Framing Fastener
2301435	2	4 1/2"	30d Polebarn Hdg Nail 5 Lb Box	Galvanized	Framing Fastener
2301642	2	1 1/2"	1-1/2"woodgrp Paint Screw 1lb Box	White	Steel - Trim Fastener
2301626	2	1"	1" Woodgrip Painted Screw 5lb Box	Red	Steel - Wall Fastener
2301613	3	1"	1" Woodgrip Painted Screw 1lb Box	White	Steel - Roof Fastener
2301684	2	2"	2" Woodgrip Painted Screw 5lb Box	White	Steel - Roof Fastener
2301671	1	2"	2" Woodgrip Painted Screw 1lb Box	White	Steel - Roof Fastener
2301464	3	6"	60d Polebarn Oil Quenched 5lb Box		Framing Fastener
2290326	1	1 1/4"	6x1-1/4 Construction Scrw 1lb Phillips		Hid. Trim Fastener
2301370	1	3"	10d Polebarn Hdg Nail 5lb Box		Fastener
5639350	2		Ge Advanced W&d Sil Clear 10.1 Oz		Silicone
1917998	1		Post Frame Mini-print Email Only		

1559975	1	16' Std Steel Pallet 11-2x4-16'		Steel Pallet
1559980	1	Steel Pkg Up To 24' Non-refundable		Pallet Fee
1559971	1	16' Trim Crate Spec Order 7-2x6x16		Trim Box
1559969	1	16' Package/handling Non-refundable		Trim Pack Fee
1911100	1	Helpful Hints Post Frame Midwest Man		Helpful Hints Booklet
1567869	1	Touch-up Paint Spo Colors	Red	Paint
1567869	1	Touch-up Paint Spo Colors	White	Paint