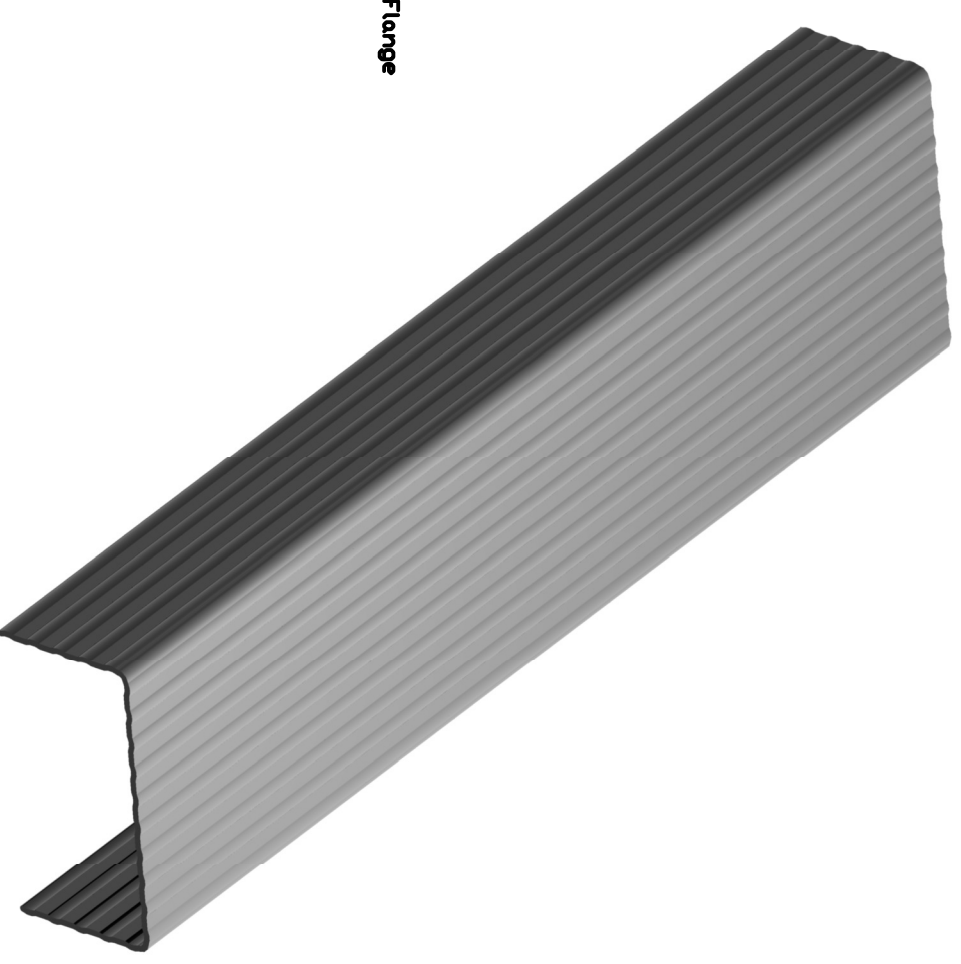
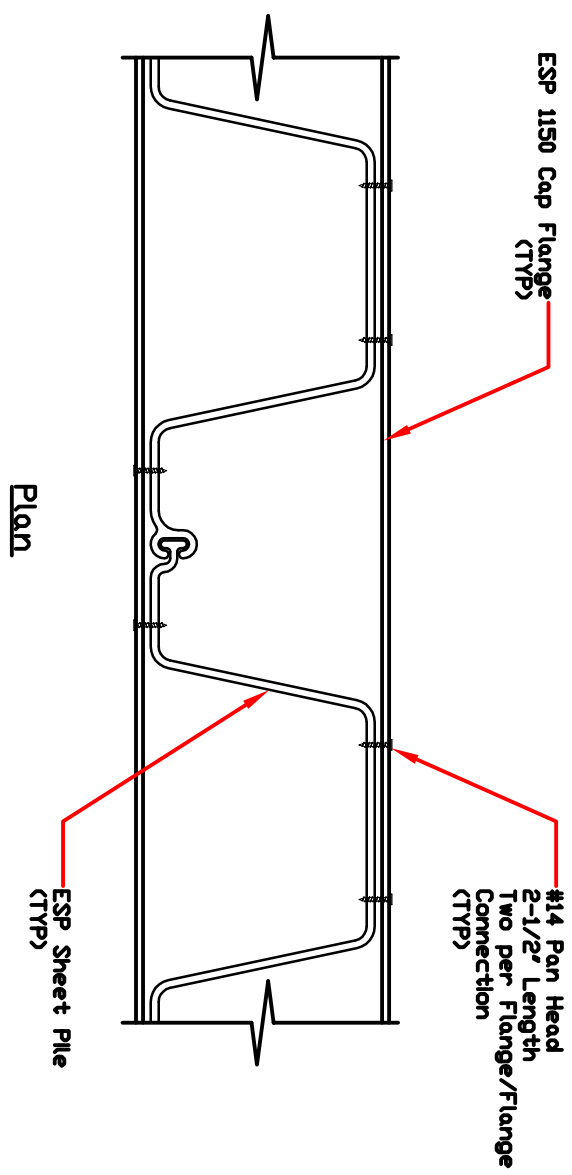
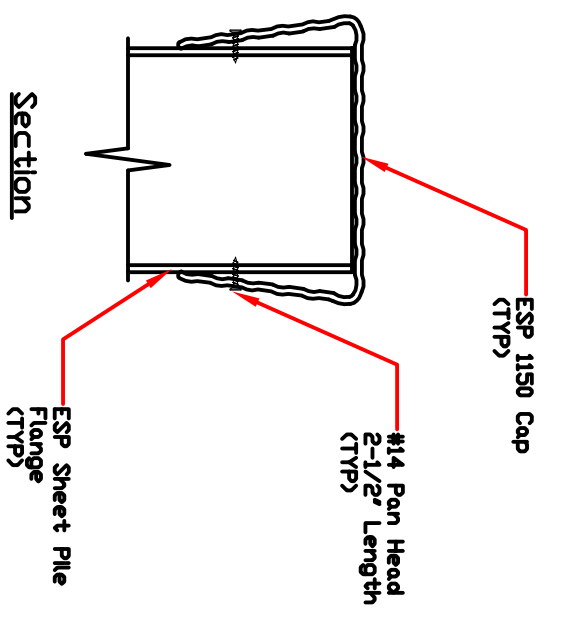
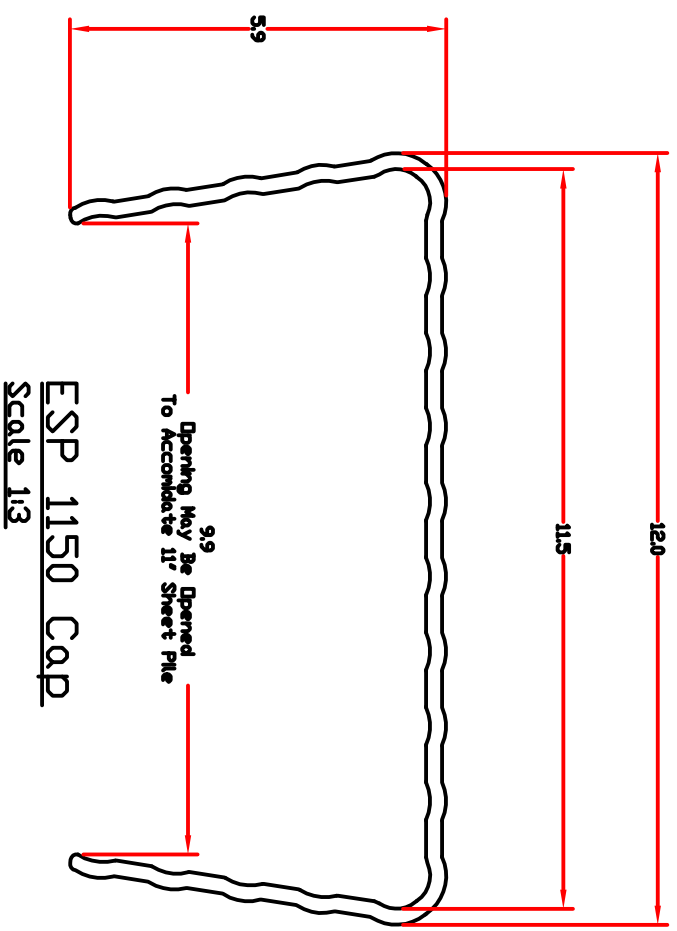
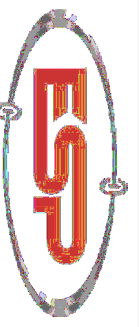


Patent Pending



Cap-Sheet Connection Details
NTS



Everlast Synthetic Products, LLC
1000 Wyingate Pkwy, S-100
Woodstock, GA 30189
(800) 687-0036

Scale: NTS

Date: 7/19/16

Project: ESP 1150 Cap

Rev #	Date	Description

THIS DRAWING CONTAINS PROPRIETARY INFORMATION, WHICH IS THE PROPERTY OF EVERLAST SYNTHETIC PRODUCTS, LLC AND SHALL NOT BE COPIED, REPRODUCED, OR MADE AVAILABLE TO THIRD PARTIES WITHOUT PRIOR WRITTEN PERMISSION FROM EVERLAST SYNTHETIC PRODUCTS, LLC.

Sheet 1 of 1

**PRELIMINARY
NOT FOR
CONSTRUCTION**

Certified only with seal, signature, and date