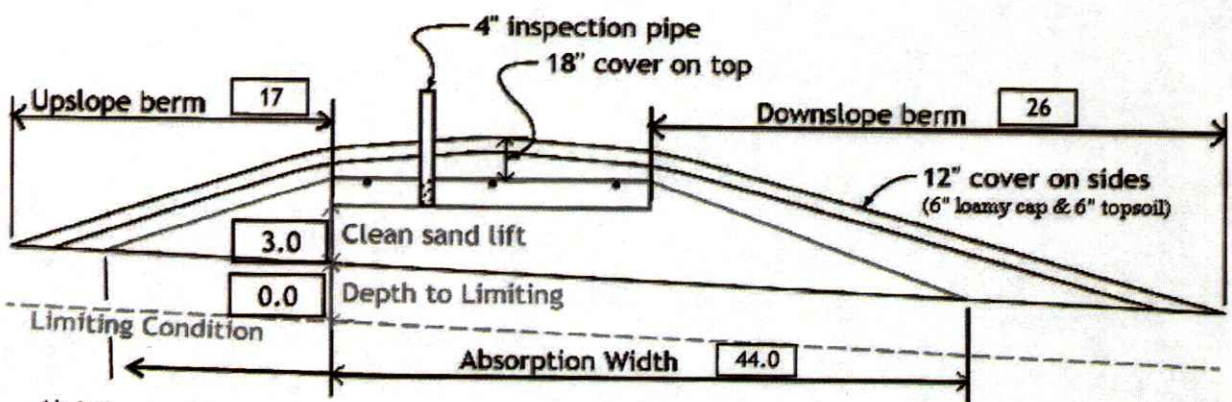


- 23) gpd/ft² Absorption area Soil Loading Rate, which gives a mound ratio of (minimum)
 (this must match the soil boring log) desired mound ratio
- 24) percent site slope (0-20% range) (% downslope site slope, if different than upslope)
- 25) inches, or ft. to Redox or other limiting condition (need at least 12" to be a Type I)
 Treatment zone contains inches of 0% soil credit, and inches of 50% soil credit. Giving a:
- 26) inch, or ft. Sand Lift Mound **CRITICAL FOR FUTURE CERTIFICATIONS!!!**
- 27) ft. base absorption width (with sand beyond rockbed as follows):
 greater of: absorption width OR sand slope
- 28) ft. upslope and sideslope sand upslope
 ft. Downslope sand down slope
- Individual slope ratios give BERM widths (topsoil beyond rockbed) of:
- 29) upslope ratio ft. upslope berm
- 30) sideslope ft. sideslope berms
- 31) downslope ft. downslope berm

32) Overall Dimensions: ft. wide by ft. long Rock bed
 ft. wide by ft. long Mound footprint



Note:
 For 0 to 1% slopes, *Absorption Width* is measured from the *Bed* equally in both directions.
 For slopes >1%, *Absorption Width* is measured downhill from the upslope edge of the *Bed*.

- 33) Rock Bed:
 ft. by ft. by inches under pipe, plus 20% gives yd³ or *1.4= ton
- 34) Mound Sand: (note: volume is based on 3:1/4:1 slope from top of rockbed, Exchange sand for loamy cap if desired)
 up + downslope + ends + under rock = yd³ or *1.4= ton
 plus 20%
- 35) Loamy Cap:
 ft. by ft. 6" deep, plus 20% gives yd³ or *1.4= ton
- 36) Topsoil:
 ft. by ft. 6" deep, plus 20% gives yd³ or *1.4= ton

I hereby certify that I have completed this work in accordance with all applicable ordinances, rules and laws.

Jeff Brummer Brummer Septic LLC. L-1347 9/18/2018
 Designer Signature Company License# Date