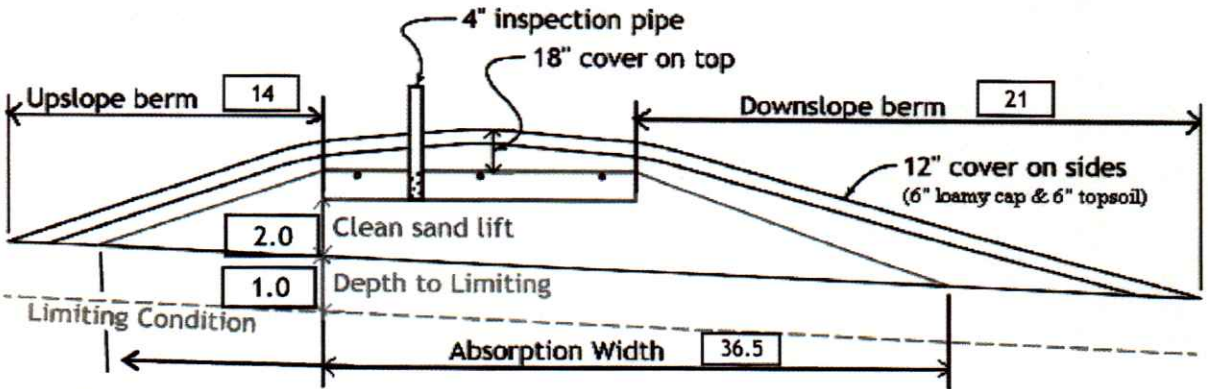


- 23)  gpd/ft<sup>2</sup> Absorption area Soil Loading Rate, which gives a mound ratio of  (minimum)  
 (this must match the soil boring log) desired mound ratio
- 24)  percent site slope (0-20% range)  (% downslope site slope, if different than upslope)
- 25)  inches, or  ft. to Redox or other limiting condition (need at least 12" to be a Type I)  
 Treatment zone contains  inches of 0% soil credit, and  inches of 50% soil credit. Giving a:
- 26)  inch, or  ft. Sand Lift Mound **CRITICAL FOR FUTURE CERTIFICATIONS!!!**
- 27)  ft. base absorption width (with sand beyond rockbed as follows):  
 greater of: absorption width OR sand slope
- 28)  ft. upslope and sideslope sand upslope   
 ft. Downslope sand down slope
- Individual slope ratios give BERM widths (topsoil beyond rockbed) of:
- 29)  upslope ratio  ft. upslope berm
- 30)  sideslope  ft. sideslope berms
- 31)  downslope  ft. downslope berm
- 32) Overall Dimensions:  ft. wide by  ft. long Rock bed  
 ft. wide by  ft. long Mound footprint



**Note:**  
 For 0 to 1% slopes, *Absorption Width* is measured from the *Bed* equally in both directions.  
 For slopes >1%, *Absorption Width* is measured downhill from the upslope edge of the *Bed*.

- 33) Rock Bed:  ft. by  ft. by  inches under pipe, plus 20% gives  yd<sup>3</sup> or \*1.4=  ton
- 34) Mound Sand: (note: volume is based on 3:1/4:1 slope from top of rockbed, Exchange sand for loamy cap if desired)  
 up +  downslope +  ends +  under rock =  yd<sup>3</sup> or \*1.4=  ton  
 plus 20%
- 35) Loamy Cap:  ft. by  ft. 6" deep, plus 20% gives  yd<sup>3</sup> or \*1.4=  ton
- 36) Topsoil:  ft. by  ft. 6" deep, plus 20% gives  yd<sup>3</sup> or \*1.4=  ton

I hereby certify that I have completed this work in accordance with all applicable ordinances, rules and laws.

*[Signature]* Brummer Septic LLC. L-1347 5/20/2019  
 Designer/Signature Company License# Date